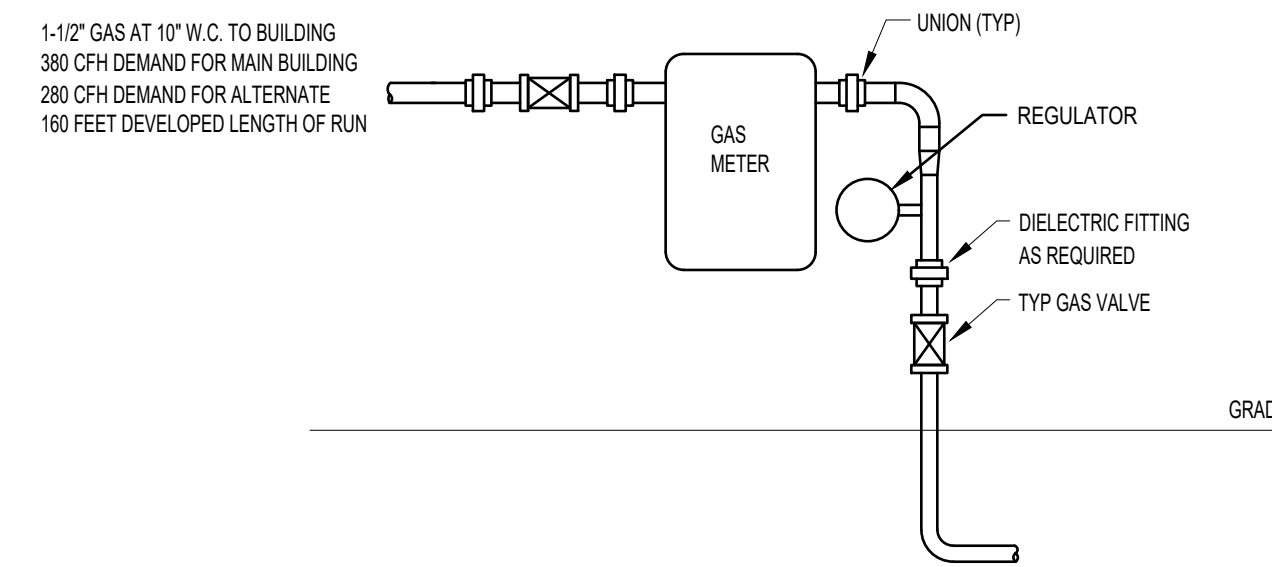


PLUMBING EQUIPMENT SCHEDULE:

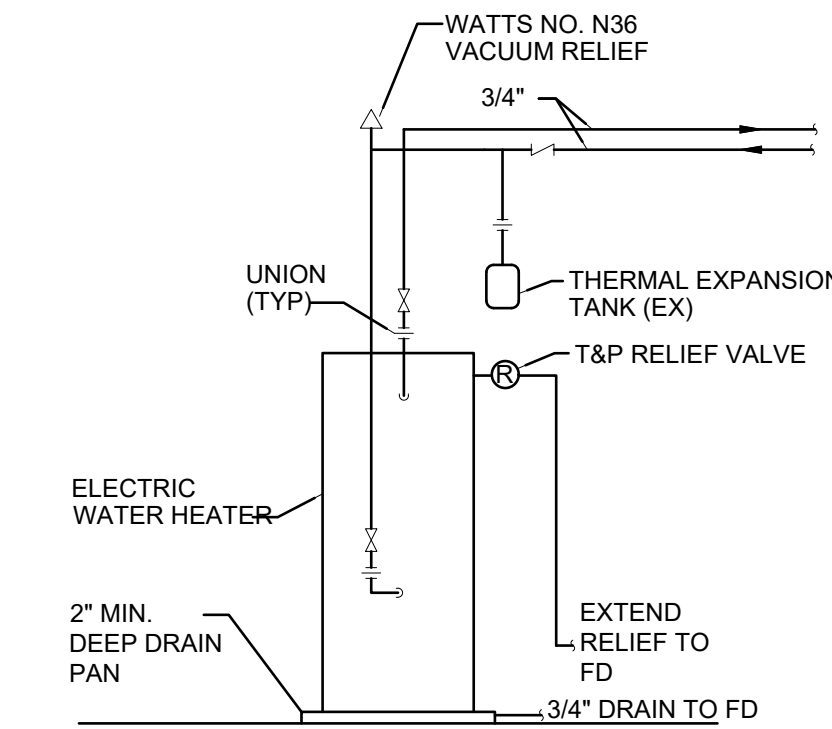
<p>FD-1</p> <p>FD-2</p> <p>HB</p> <p>WB-1</p> <p>BFP</p> <p>EX</p> <p>EWH-1</p>	<p>FLOOR DRAIN, ZURN MODEL Z415, DURA-COATED CAST IRON BODY WITH BOTTOM OUTLET, COMBINATION INVERTIBLE MEMBRANE CLAMP AND ADJUSTABLE COLLAR WITH SEEPAGE SLOTS.</p> <p>FOR MECHANICAL ROOM DRAINS NOT RECEIVING INDIRECT WASTE, FINISHED SPACES INCLUDING TOILET, SHOWER, LOCKER ROOMS, ETC., PROVIDE WITH TYPE B, ROUND, POLISHED NICKEL BRONZE, LIGHT DUTY HEEL PROOF STRAINER.</p> <p>FOR ANY FLOOR DRAINS RECEIVING INDIRECT WASTE OR CONDENSATE (NOT FLOOR SINKS), PROVIDE TYPE I POLISHED NICKEL BRONZE STRAINER WITH RAISED FLANGE.</p> <p>ALL FLOOR DRAINS SHALL BE PROTECTED AGAINST LOSS OF TRAP SEAL BY EVAPORATION BY INSTALLATION OF ELASTOMERIC TRAP GUARD DRAIN INSERT, EQUAL TO PROSET SYSTEMS MODEL #TG.</p> <p>HEAVY DUTY FLOOR DRAIN, ZURN MODEL Z535, SQUARE TOP HEAVY-DUTY DRAIN, OVEN CURED ACID RESISTANT EPOXY COATED ALUMINUM BODY WITH BOTTOM OUTLET, TOP MEMBRANE CLAMPING COLLAR, ANTI-PONDING SLOTS, SEDIMENT BUCKET AND HEAVY-DUTY ANTI-TILT HINGED SLOTTED GRATE WITH STAINLESS STEEL HINGE PINS.</p> <p>HOSE BIBB/ WALL FAUCET. ZURN MODEL Z1341-BFP, EXPOSED, ANTI-SIPHON, WALL FAUCET FOR USE IN MODERATE CLIMATE INSTALLATION, COMPLETE WITH Z1399-BFP EXTERNAL BACKFLOW PREVENTER, ALL BRONZE INTERIOR COMPONENTS, VANDAL-RESISTANT OPERATING STEM, ROUGH BRONZE EXTERIOR AND 3/4 MALE HOSE CONNECTION (CONFORM TO ASME B1.20.7). MOUNT AT 24" ABOVE FLOOR.</p> <p>WASHER BOX: OATEY CENTRO II WASHER BOX, HW & CW CONNECTION, 2" DRAIN OUTLET, RECESSED MOUNTED.</p> <p>REDUCED PRESSURE ZONE BACK FLOW PREVENTER (FOR BUILDING SERVICE) SIZES 1/2" - 2": WATTS SERIES LFU009. PROVIDE WITH STRAINER UPSTREAM AND SHUT OFF VALVES ON INLET AND OUTLET.</p> <p>EXPANSION TANK - AMTROL THERM-X-TROL MODEL #ST-5 THERMAL EXPANSION TANK, 2.0 GALLONS MIN. ACCEPTANCE VOLUME WITH DIAPHRAGM. FACTORY PRE-CHARGED TO 40 PSI, SET EQUAL TO LINE PRESSURE.</p> <p>ELECTRIC WATER HEATER, A.O. SMITH MODEL #DRE-52-6, SINGLE ELEMENT, 50 GALLON CAPACITY TANK, 25 GAL./HR. RECOVERY AT 40 DEG.F. ENT. AND 100 DEG.F. RISE, 6 KW, 208V/1PH; T & P RELIEF VALVE. PIPING CONNECTIONS INCLUDING T&P RELIEF VALVE ON SIDE OF EQUIPMENT.</p>
--	--

LEGEND		ABBREVIATIONS	
	BRANCH CONNECTION - BOTTOM OF MAIN	AAV	AIR ADMITTANCE VALVE
	BRANCH CONNECTION - SIDE OF MAIN	ABV	ABOVE
	BRANCH CONNECTION - TOP OF MAIN	AFF	ABOVE FINISHED FLOOR
	PIPE DOWN OR PIPE FROM BELOW	BFF	BELOW FINISHED FLOOR
	PIPE UP OR PIPE FROM ABOVE	BTU	BRITISH THERMAL UNIT
	DIRECTION OF FLOW	BEL	BELOW
	DOMESTIC COLD WATER	CLG	CEILING
	DOMESTIC HOT WATER	CO	CLEANOUT
	DOMESTIC HOT WATER RECIRCULATING	CONN	CONNECT, CONNECTION
	NATURAL GAS PIPING	CW	COLD WATER
	SANITARY SEWER, GREASE WASTE OR DRAIN	CONT	CONTINUED
	SANITARY VENT	DN	DOWN
	CLEANOUT FLUSH WITH FLOOR	EA	EACH
	OUTLET WITH P-TRAP	ELEV	ELEVATION
	WALL HYDRANT	EWIC	ELECTRIC WATER COOLER
	WATER HAMMER ARRESTER	F	DEGREES FAHRENHEIT
	BALL VALVE	FD	FLOOR DRAIN
	AUTOMATIC GAS SHUT OFF VALVE, INTERLOCK WITH HOOD	FIN	FINISHED
	SHUTOFF VALVE IN VERTICAL	FLR	FLOOR
	CHECK VALVE	FR	FROM
	T&P RELIEF VALVE	FT	FEET
	BALANCING COCK	GPH	GALLONS PER HOUR
	UNION	GPM	GALLONS PER MINUTE
	PRESSURE GAUGE AND GAUGE COCK	GW	GREASE WASTE
	THERMOMETER	HB	HOSE BIBB
	GAS PRESSURE REGULATOR	HC	HANDICAPPED ACCESSIBLE
	RELIEF VALVE	HW	HOT WATER
	BACKFLOW PREVENTER (BFP)	HP	HORSEPOWER
	EXISTING (EQUIPMENT OR DUCTWORK/PIPING)	IN	INCH, INCHES
	DEMOLITION (EQUIPMENT, PIPING, DUCTWORK, ETC.)	INV	INVERT
		MAX	MAXIMUM
		MBH	THOUSAND BTU PER HOUR
		MIN	MINIMUM
		SH	SHEET
		TYP	TYPICAL
		V	SANITARY VENT
		VTR	VENT THRU ROOF
		W	SANITARY WASTE
		WCO	WALL CLEANOUT
		WH	WALL HYDRANT
		WHA	WATER HAMMER ARRESTER
		ZVB	MEDICAL GAS ZONE VALVE BOX
			CONNECT TO EXISTING
			LIMITS OF DEMOLITION



GAS METER DETAIL

NO SCALE



ELECTRIC WATER HEATER DETAIL



BALZER & ASSOCIATES
PLANNERS / ARCHITECTS
ENGINEERS / SURVEYORS

Roanoke / Richmond
Shenandoah Valley
New River Valley

www.balzer.cc

1208 Corporate Circle
Roanoke, VA 24018
540.772.9580



SALEM, VA



SALEM FIRE STATION #2 - NEW SERVICE BAYS

NEW CONSTRUCTION

PLUMBING LEGEND, SCHEDULES, AND DETAILS

415 ELECTRIC ROAD
SALEM, VIRGINIA 24163

DRAWN BY JNB
DESIGNED BY JNB
CHECKED BY JNB
DATE 2024-08-30
SCALE AS NOTED
REVISIONS

PG1.01

PROJECT NO 03220052.01

PLUMBING SPECIFICATIONS:

1. GENERAL PROVISIONS:

- 1.A. ALL WORK SHALL BE IN ACCORDANCE WITH THE 2018 VIRGINIA UNIFORM STATEWIDE BUILDING CODE, ALL FEDERAL, STATE, AND CITY CODES, ORDINANCES, AND STANDARDS.
- 1.B. THE PLANS ARE DIAGRAMMATIC IN NATURE AND BASED ON ONE MANUFACTURER'S EQUIPMENT. THEY ARE NOT INTENDED TO SHOW EVERY ITEM IN ITS EXACT LOCATION, THE EXACT DIMENSIONS, OR ALL THE DETAILS OF THE EQUIPMENT. VERIFY THE ACTUAL DIMENSIONS OF THE EQUIPMENT PROPOSED TO BE USED. INSTALLATION SHALL BE WITHIN THE LIMITATIONS IMPOSED BY THE ARCHITECTURAL, STRUCTURAL, HVAC, ELECTRICAL, AND PLUMBING REQUIREMENTS WITH ADEQUATE SPACE FOR MAINTENANCE.
- 1.C. GUARANTEE: ALL MATERIALS AND WORKMANSHIP SHALL BE GUARANTEED TO BE FREE FROM DEFECTS FOR A PERIOD OF ONE (1) YEAR FROM DATE OF ACCEPTANCE AND CONTRACTOR SHALL MAKE GOOD, WITHOUT ADDITIONAL COST TO THE OWNER, ANY DEFECTS WHICH MAY APPEAR WITHIN THAT PERIOD. MANUFACTURER'S WARRANTIES EXTENDING BEYOND ONE YEAR SHALL BE PROCESSED AND TURNED OVER TO THE OWNER.
- 1.D. MAJOR ITEMS ARE SHOWN ON THE PLANS. THE CONTRACTOR SHALL BE RESPONSIBLE FOR ALL INCIDENTAL ITEMS REQUIRED TO PROVIDE A COMPLETE AND FUNCTIONAL SYSTEM.
- 1.E. A TRADE NAMES AND CATALOG NUMBERS SHALL BE INTERPRETED AS ESTABLISHING A GENERAL DESIGN AND STANDARD OF QUALITY AND SHALL NOT BE CONSTRUED AS LIMITING COMPETITION. UNLESS STATED OTHERWISE, THE CONTRACTOR MAY USE ANY ARTICLE WHICH, IN HIS JUDGEMENT, AND WITH WRITTEN COMMENT FROM THE ARCHITECT/ENGINEER INDICATING NO OBJECTION, IS EQUAL OR SUPERIOR TO THAT SPECIFIED. DRAWINGS SHOWING CHANGES OR REVISIONS REQUIRED BY THE SUBSTITUTION FOR SPECIFIED ITEMS SHALL BE SUBMITTED WITH THE SHOP DRAWING DATA, AND THE COSTS OF ALL SUCH CHANGES SHALL BE BORNE BY THE CONTRACTOR.
- 1.F. SIMILAR ITEMS SHALL BE PROVIDED BY A SINGLE MANUFACTURER.
- 1.G. ALL REQUIRED WALL OR FLOOR OPENINGS SHALL BE COORDINATED WITH THE GENERAL CONTRACTOR AND/OR OTHER RELEVANT TRADES.
- 1.H. ALL PIPING SHALL BE INSTALLED ABOVE THE CEILING UNLESS INDICATED OTHERWISE. ALL WATER PIPING AND P-TRAPS SHALL BE INSTALLED WITHIN THE BUILDINGS INSULATION ENVELOPE OR BE PROVIDED WITH A FREEZE PROTECTION SYSTEM.
- 1.I. PROVIDE SUPPORTS TO RIGIDLY ATTACH ALL EQUIPMENT, APPURTENANCES AND PIPE AS REQUIRED FOR SUPPORT. PRIOR TO INSTALLATION OF HANGERS AND INSERTS, THE CONTRACTOR SHALL COORDINATE LOCATIONS AND REQUIREMENTS TO MINIMIZE CONFLICTS WITH OTHER BUILDING SYSTEMS. INSTALLATION OF PIPE HANGERS AND SUPPORTS SHALL BE IN STRICT ACCORDANCE WITH MANUFACTURERS STANDARDIZATION SOCIETY (MSS) STANDARDS SP-58, 69 AND 89.
- 1.J. THE CONTRACTOR SHALL MAKE FINAL CONNECTIONS TO ALL EQUIPMENT INDICATED TO BE FURNISHED BY OTHERS.

2. SUBMITTAL AND SHOP DRAWINGS:

- 2.A. SUBMIT MANUFACTURER'S CERTIFIED DATA RELATIVE TO ALL EQUIPMENT, PIPING, CONTROLS, ETC. REQUIRED FOR THE INSTALLATION OF THE PLUMBING AND FIRE PROTECTION SYSTEMS. SUBMIT FOR REVIEW ALL NECESSARY ENGINEERING, PRODUCT AND INSTALLATION DATA, SHOP DRAWINGS, SAMPLES ETC. FOR ALL EQUIPMENT, MATERIAL, AND SYSTEMS TO ASCERTAIN COMPLIANCE WITH THE TECHNICAL REQUIREMENTS OF THE CONTRACT DOCUMENTS.
- 2.B. SUBMIT A DIGITAL PDF OF ALL NECESSARY DATA, CUTS, MANUFACTURER'S SELECTIONS, CATALOGS, BULLETINS, INSTALLATION INSTRUCTIONS, DRAWINGS, DIAGRAMS, CURVES, ETC. CLEARLY INDICATE ON THE SUBMITTED DATA, THE MANUFACTURER'S NAME, PRODUCT NUMBER(S), OPTIONS, EQUIPMENT CAPACITY, DIMENSIONAL DATA, WEIGHTS, AND OTHER APPLICABLE TECHNICAL DATA FOR THE PROJECT.
- 2.C. TRADE NAMES, MANUFACTURERS, AND CATALOGUE NUMBERS ARE MENTIONED HEREIN AND ON THE DRAWINGS SOLELY IN ORDER TO ESTABLISH A STANDARD FOR THE TYPE, GENERAL DESIGN, AND QUALITY OF PRODUCT REQUIRED. OTHER PRODUCTS SIMILAR IN DESIGN OF EQUIVALENT QUALITY CAPABLE OF FITTING WITHIN THE SPACES ALLOCATED AND COMPLYING WITH THE DRAWINGS AND SPECIFICATIONS WILL BE CONSIDERED AFTER THE CONTRACT IS LET

UNLESS "PRIOR APPROVAL" REQUIREMENTS ARE SET FORTH IN THESE DOCUMENTS.

- 2.D. REVIEW OF SUBMITTALS AND SHOP DRAWINGS DOES NOT RELIEVE THE CONTRACTOR OF THE RESPONSIBILITY FOR FITTING THE EQUIPMENT IN THE SPACE ALLOTTED WITH SPACE FOR ALL CONNECTIONS AND SERVICING AND FOR THE COORDINATION OF THE WORK WITH WORK OF OTHER TRADES.
- 2.E. THE CONTRACTOR SHALL REVIEW ALL SUBMITTALS AND SHOP DRAWINGS AND INDICATE BY STAMP OR LETTER THAT HE HAS REVIEWED THEM, BEFORE FORWARDING THEM TO THE ARCHITECT AND/OR ENGINEER. SUBMITTALS AND DRAWINGS WILL BE RETURNED AFTER REVIEW INDICATING WHETHER EXCEPTIONS ARE TAKEN, THE SUBMITTAL RETURNED WITH CORRECTIONS, OR IS COMPLETELY REJECTED. RESUBMISSION OF REVISED SUBMITTALS AND SHOP DRAWINGS, IF REQUIRED, SHALL BE DONE BEFORE INSTALLATION AND CONSTRUCTION IS BEGUN.
- 2.F. CORRECTIONS OR COMMENTS MADE ON THE SUBMITTALS AND DRAWINGS DURING THIS REVIEW DOES NOT RELIEVE THE CONTRACTOR FROM COMPLIANCE WITH THE REQUIREMENTS OF THE CONTRACT DOCUMENTS. THIS REVIEW IS FOR GENERAL CONFORMANCE WITH THE DESIGN CONCEPT OF THE PROJECT AND GENERAL COMPLIANCE WITH THE INFORMATION GIVEN IN THE CONTRACT DOCUMENTS. THE CONTRACTOR IS RESPONSIBLE FOR CONFIRMING AND CORRELATING ALL QUANTITIES AND DIMENSIONS, FABRICATION PROCESSES, TECHNIQUES OF CONSTRUCTION, COORDINATING THE WORK WITH THAT OF ALL OTHER TRADES, AND PERFORMING WORK IN A SAFE AND SATISFACTORY MANNER. REVIEW OF THE SUBMITTALS SHALL NOT PERMIT ANY DEVIATION FROM PLANS AND SPECIFICATIONS.
- 3. AS-BUILT DRAWINGS:
 - 3.A. MAINTAIN DAILY UPDATED DRAWINGS SHOWING DEVIATIONS FROM CONSTRUCTION DOCUMENTS. AT THE END OF THE PROJECT, PROFESSIONALLY PREPARE AS-BUILT DRAWINGS AND SUBMIT DRAWINGS TO THE ARCHITECT/ENGINEER.
- 4. OPERATION AND MAINTENANCE MANUALS:
 - 4.A. UPON COMPLETION OF THE PROJECT, SUBMIT ALL OPERATION AND MAINTENANCE MANUALS, WARRANTIES, SPARE PARTS LIST, AS-BUILT DRAWINGS, TEST AND BALANCE REPORTS, AND LETTER OF GUARANTEE ALL BOUND IN THREE RING BINDERS, CLEARLY SHOWING WHICH EQUIPMENT WAS SUPPLIED TO THE JOB.
- 5. PIPING SPECIALTIES:
 - 5.A. ACCESS DOORS: ACCESS DOORS SHALL BE PROVIDED FOR ALL CONCEALED VALVES, CONTROLS, AND ANY OTHER EQUIPMENT OR MATERIALS REQUIRING INSPECTION OR MAINTENANCE. ACCESS DOORS SHALL BE FURNISHED FOR FLOORS, WALLS AND CEILINGS, OF ADEQUATE SIZE SO THAT CONCEALED ITEMS WILL BE READILY ACCESSIBLE FOR SERVICING OR FOR REMOVAL AND REPLACEMENT IF NECESSARY.
 - 5.B. PIPE ESCUTCHEONS: INSTALL PIPE ESCUTCHEONS ON EACH PIPE PENETRATION THRU FLOORS, WALLS PARTITIONS, AND CEILINGS WHERE PENETRATION IS EXPOSED TO VIEW AND ON EXTERIOR OF BUILDING. SECURE ESCUTCHEON TO PIPE OR INSULATION SO ESCUTCHEON COVERS PENETRATION HOLE, AND IS FLUSH WITH ADJOINING SURFACE. PROVIDE SHEET STEEL ESCUTCHEONS, SOLID OR SPLIT HINGED. FOR AREAS WHERE WATER AND CONDENSATION CAN BE EXPECTED TO ACCUMULATE, PROVIDE CAST BRASS OR SHEET BRASS ESCUTCHEONS, SOLID OR SPLIT HINGED.
 - 5.C. PIPE SLEEVES: INSTALL PIPE SLEEVES WHERE PIPING PASSES THROUGH WALLS, FLOORS, CEILINGS, AND ROOFS. DO NOT INSTALL SLEEVES THROUGH STRUCTURAL MEMBERS OF WORK, EXCEPT AS DETAILED ON DRAWINGS, OR AS REVIEWED BY ARCHITECT/ENGINEER. SIZE SLEEVES SO THAT PIPING AND INSULATION (IF ANY) WILL HAVE FREE MOVEMENT IN SLEEVE, INCLUDING ALLOWANCE FOR THERMAL EXPANSION; BUT NOT LESS THAN 2 PIPE SIZES LARGER THAN PIPING RUN. INSTALL LENGTH OF SLEEVE EQUAL TO THICKNESS OF CONSTRUCTION PENETRATED, AND FINISH FLUSH TO SURFACE; EXCEPT FLOOR SLEEVES. EXTEND FLOOR SLEEVES 1/4 INCH ABOVE LEVEL FLOOR FINISH, AND 3/4 INCH ABOVE FLOOR FINISH SLOPED TO DRAIN. PROVIDE TEMPORARY SUPPORT OF SLEEVES DURING PLACEMENT OF CONCRETE AND OTHER WORK AROUND SLEEVES, AND PROVIDE TEMPORARY CLOSURE TO PREVENT CONCRETE AND OTHER MATERIALS FROM ENTERING SLEEVES.
 - 5.D. WATER HAMMER ARRESTORS (WHA): PROVIDE AT ALL FAST OPENING WATER VALVES INCLUDING WATER CLOSETS, URINALS, AND CLOTHES WASHERS. SHALL BE ZURN MODEL 1260XL OR EQUIVALENT AND SHALL BE SIZED AND PLACED WITHIN THE SYSTEM AS RECOMMENDED BY THE MANUFACTURER.

6. INSULATION:

- 6.A. FLAME/SMOKE RATINGS: PROVIDE COMPOSITE PLUMBING INSULATION (INSULATION, JACKETS, COVERINGS, SEALERS, MASTICS AND ADHESIVES) WITH FLAME-SPREAD RATING OF 25 OR LESS, AND SMOKE-DEVELOPED RATING OF 50 OR LESS, AS TESTED BY ASTM E84 METHOD. INSULATION SHALL BE LABELED BY THE MANUFACTURER. THE LABEL SHALL INDICATE THE INSULATING VALUE, FLAME SPREAD AND SMOKE-DEVELOPED RATING.
- 6.B. INSTALLATION: INSULATION SHALL BE APPLIED IN ACCORDANCE WITH MANUFACTURER'S RECOMMENDATIONS USING ONLY ADHESIVES, MASTICS AND PLUMBING FASTENERS APPROVED BY THE INSULATION MANUFACTURER. INSULATION SHALL NOT BE APPLIED UNTIL AFTER THE EQUIPMENT HAS BEEN TESTED WITH RESULTS ACCEPTABLE TO THE ARCHITECT/ENGINEER. INSULATION WITH A VAPOR BARRIER JACKET SHALL BE APPLIED WITH A CONTINUOUS, UNBROKEN VAPOR SEAL AND ALL JOINTS SHALL BE SEALED WITH A VAPOR BARRIER ADHESIVE UNLESS OTHERWISE INDICATED. STAPLES, STICK CLIPS AND HANGERS SHALL BE VAPOR SEALED WHERE THEY PUNCTURE VAPOR BARRIER JACKETS.
- 6.C. MATERIALS:
 - 6.C.A. GLASS FIBER PIPE INSULATION: HEAVY DENSITY PREFORMED PIPE INSULATION WITH OPERATING TEMPERATURE RANGE OF -60 DEGREES F TO 350 DEGREES F, THERMAL CONDUCTIVITY "K"=0.24 BTU-IN/HOUR-SF-DEG F AT 100 DEGREES F. FACTORY APPLIED JACKET (ASJ) SHALL CONSIST OF WHITE KRAFT PAPER BONDED TO ALUMINUM FOIL AND REINFORCED WITH GLASS FIBER YARN. EQUAL TO OWENS-CORNING ASJ.
 - 6.C.B. CELLULAR FOAM PIPE INSULATION: TUBULAR, FLEXIBLE, FIRE RESISTANT INSULATION WITH OPERATING TEMPERATURE RANGE OF -40 DEGREES F TO 220 DEGREES F, THERMAL CONDUCTIVITY "K"=0.27 BTU-IN/HOUR-SF-DEG F AT 75 DEGREES F. NO JACKET REQUIRED. EQUAL TO ARMSTRONG ARMAFLEX AP.
 - 6.C.C. A POLYETHYLENE PIPE INSULATION: INSULATION MATERIALS CORPORATION OF AMERICA (MCOA), FLEXIBLE CLOSED CELL POLYETHYLENE TUBING, ASTM C534, "K"=0.24 AT 75 DEGREES F, SERVICE TEMPERATURE -110F TO 210F. NO JACKET REQUIRED.
- 6.D. OMIT INSULATION ON EXPOSED PLUMBING FIXTURE RUNOUTS FROM FACES OF WALL OR FLOOR TO FIXTURE; ON UNIONS, FLANGES, STRAINERS, FLEXIBLE CONNECTIONS, AND EXPANSION JOINTS.
- 6.E. COVER VALVES, FITTINGS AND SIMILAR ITEMS IN EACH PIPING SYSTEM WITH EQUIVALENT THICKNESS AND COMPOSITION OF INSULATION AS APPLIED TO ADJOINING PIPE RUN.
- 6.F. ALL DOMESTIC WATER PIPING ABOVE GROUND INCLUDING COLD, HOT, AND HOT WATER RE-CIRCULATING PIPING SHALL BE INSULATED WITH A MINIMUM 1/2" THICK INSULATION.
- 7. PLUMBING PIPING:
 - 7.A. DOMESTIC WATER PIPING SHALL BE COPPER TUBE AND FITTINGS IN ACCORDANCE WITH ASTM B88, TYPE L HARD DRAWN COPPER. JOINTS SHALL BE MADE WITH LEAD FREE SOLDER.
 - 7.B. STORM, SOIL, WASTE, AND VENT PIPING BELOW GRADE SHALL BE SCHEDULE 40 PVC PIPE AND FITTINGS. PVC SCHEDULE 40 PIPE SHALL BE IRON PIPE SIZE (IPS) CONFORMING TO ASTM D 1785. INJECTION MOLDED PVC SCHEDULE 40 FITTINGS SHALL CONFORM TO ASTM D 2466. PIPE AND FITTINGS SHALL BE MANUFACTURED AS A SYSTEM AND BE THE PRODUCT OF ONE MANUFACTURER. PIPE AND FITTINGS SHALL CONFORM TO NSF INTERNATIONAL STANDARD 61 AND THE HEALTH-EFFECTS PORTION OF NSF STANDARD 14.
 - 7.C. STORM, SOIL, WASTE, AND VENT PIPING ABOVE GRADE SHALL BE HUBLESS CAST IRON TYPE DESIGNED FOR SAID APPLICATION. HUBLESS CAST IRON PIPE AND FITTINGS SHALL BE MANUFACTURED FROM GRAY CAST IRON AND SHALL CONFORM TO ASTM A 888 AND CISPI STANDARD 301. ALL PIPE AND FITTINGS SHALL BE MARKED WITH THE COLLECTIVE TRADEMARK OF THE CAST IRON SOIL PIPE INSTITUTE® AND LISTED BY NSF® INTERNATIONAL. HUBLESS COUPLINGS SHALL CONFORM TO CISPI STANDARD 310, SHALL BE MANUFACTURED IN THE UNITED STATES, AND BE CERTIFIED BY NSF® INTERNATIONAL.
 - 7.D. CONDENSATE DRAINS SHALL BE TYPE L HARD DRAWN COPPER. JOINTS SHALL BE MADE WITH LEAD FREE SOLDER.
 - 7.E. SLOPE ALL DRAIN LINES AT 1/4 INCH PER FOOT FOR

SIZES LESS THAN 4 INCHES. SLOPE AT 1/8 INCH PER FOOT FOR SIZES 4 INCH AND LARGER.

- 7.F. SOIL, WASTE, AND VENT PIPING BELOW GRADE SHALL BE A MINIMUM OF 2 INCH AND SHALL BE PROVIDED WITH METALLIC TRACING/DETECTION WIRE.
- 7.G. VENTS SHALL EXTEND A MINIMUM OF 12 INCHES ABOVE THE ROOF. ROOF FLASHING SHALL BE PROVIDED AND COORDINATED WITH THE GENERAL AND ROOFING CONTRACTORS.
- 7.H. TRENCHING AS REQUIRED FOR UNDERGROUND PIPING SHALL BE GRADED TO UNIFORM PITCH AND SHALL BE NO WIDER THAN NECESSARY FOR PIPING INSTALLATION. CLEAN BACKFILL SHALL BE USED AND THOROUGHLY TAMPED IN LAYERS NOT EXCEEDING 6 INCHES TO A MINIMUM DEPTH OF 1 FOOT ABOVE PIPE. COMPACTED BACKFILL SHALL BE USED FOR THE ENTIRE DEPTH OF EXCAVATION UNDER SLAB ON GRADE CONSTRUCTION.
- 7.I. NATURAL GAS SYSTEMS: PIPING SHALL BE SCHEDULE 40 BLACK STEEL PIPE, ASTM A120/A53-CW OR ASTM/A53 GRADE B (WELDED OR SEAMLESS); WROUGHT STEEL BUTTWELDING FITTINGS. GAS COCKS 2 INCHES AND SMALLER SHALL BE RATED FOR 150 PSI, NON SHOCK WOG, BRONZE STRAIGHTWAY COCK, FLAT OR SQUARE HEAD, WITH THREADED ENDS. ALL GAS PIPING CONNECTIONS SHALL BE PROVIDED WITH A 6 INCH DIRT TRAP, UNION, AND GAS COCK SHUT OFF VALVE. ALL JOINTS SHALL BE SEALED WITH CHEMICALLY RESISTANT SEALER APPLIED TO MALE THREADS OF PIPE CONNECTION. PROVIDE DRIP LEG AT ANY POINT IN THE WHERE CONDENSATE MAY COLLECT AS PER THE FUEL GAS CODE. GAS PIPING SHALL BE INSTALLED WITH A 1/64 INCH PER FOOT DOWNWARD SLOPE IN THE DIRECTION OF FLOW. A ROLLER BEARING TYPE PIPE SUPPORT SHALL BE USED TO SUPPORT ALL GAS PIPING LOCATED ON THE ROOF. SUPPORTS SHALL HAVE A POLYCARBONATE BASE, WITH PIPE RESTING ON A SELF LUBRICATING POLYCARBONATE RESIN AXLE AND ROLLER AND BE SIZED FOR THE PIPE BEING SUPPORTED. MAXIMUM SPACING SHALL NOT EXCEED 10FT. PROVIDE PIPE HANGERS AS REQUIRED FOR ALL INTERIOR PIPING.
- 8. PLUMBING FIXTURES, PUMPS, AND WATER HEATERS SHALL BE PROVIDED AND INSTALLED AS PER THE PLUMBING FIXTURE SCHEDULE. ALL EXPOSED FIXTURE SUPPLIES AND WASTE LINES SHALL BE CHROME PLATED. NO EXPOSED COPPER, PVC, AND/OR CAST IRON IS ALLOWED.
- 9. CLEANOUTS SHALL BE THE SAME SIZE AS LINE SERVED, BUT NOT LARGER THAN 4 INCHES, AND SHALL BE PROVIDED AT THE BASE OF EACH SOIL AND WASTE STACK, AT ALL POINTS WHERE DIRECTION CHANGE IS MORE THAN 45 DEGREES, AT MINIMUM INTERVALS OF 50 FEET FOR 4 INCH AND SMALLER PIPING, AT MINIMUM INTERVALS OF 100 FEET FOR PIPING LARGER THAN 4 INCHES, AS REQUIRED BY CODE AND AS INDICATED ON THE DRAWINGS. COVERS SHALL BE SET FLUSH WITH FLOOR OR WALL.
- 10. PLUMBING VALVES
 - 10.A. PROVIDE SHUT-OFF VALVE AND UNION OR EQUIVALENT AT EACH HOT AND COLD WATER EQUIPMENT CONNECTION. PROVIDE SHUTOFF VALVE ON EACH BRANCH OR RISER THAT SERVES TWO OR MORE PLUMBING FIXTURES.
 - 10.B. GATE VALVES 2-1/2 INCHES AND SMALLER: ALL BRONZE, RISING STEM, SOLID WEDGE DISC. STOCKHAM B-100 OR B-108.
 - 10.C. GLOBE VALVES: ALL BRONZE, RENEWABLE COMPOSITION DISC. STOCKHAM B-16 OR B-14-T.
 - 10.D. CHECK VALVES IN HORIZONTAL PIPES: 2 INCHES AND SMALLER: ALL BRONZE, REGRINDING BRONZE DISC, HORIZONTAL SWING, Y-PATTERN. STOCKHAM B-3190R B-309.
 - 10.E. CHECK VALVES IN VERTICAL PIPES AND PUMP DISCHARGE: SILENT CHECK VALVE WITH SEMI-STEEL BODY, BRONZE TRIM AND STAINLESS STEEL SPRING. METRAFLEX 700 SERIES.
 - 10.F. BALL VALVES MAY BE USED IN LIEU OF GATE VALVES 2 INCHES AND SMALLER. BALL VALVES SHALL HAVE BRONZE BODY, BRONZE BALL AND TFE SEATS AND SEALS. STOCKHAM S-216BRRT OR S-216BRRS.
- 11. CLEANING AND TESTING
 - 11.A. ALL WATER PIPING, VALVES, ETC. SHALL BE THOROUGHLY FLUSHED OF FOREIGN MATTER AND TESTED FOR LEAKS IN ACCORDANCE WITH THE PLUMBING AND BUILDING CODE, LATEST EDITION. ANY LEAKAGE SHALL BE REPAIRED. DISINFECT DOMESTIC WATER PIPING INCLUDING WATER SERVICE PIPING IN ACCORDANCE WITH AWWA C601.
 - 11.B. ALL DRAIN, WASTE AND VENT PIPING SHALL BE TESTED FOR LEAKS IN ACCORDANCE WITH THE PLUMBING AND BUILDING CODE CODE, LATEST EDITION. NO VISIBLE DROP IN WATER LEVEL WILL BE ACCEPTABLE.

END OF SPECIFICATIONS.



BALZER & ASSOCIATES

PLANNERS / ARCHITECTS
ENGINEERS / SURVEYORS

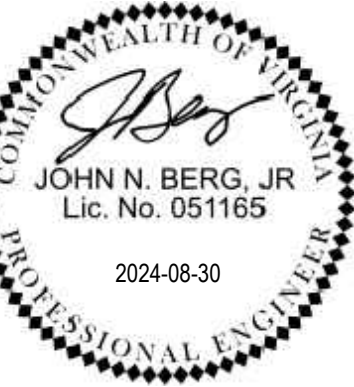
Roanoke / Richmond
Shenandoah Valley
New River Valley

www.balzer.cc

1208 Corporate Circle

Roanoke, VA 24018

540.772.9580



SALEM VA



SALEM FIRE STATION #2 - NEW SERVICE BAYS

NEW CONSTRUCTION

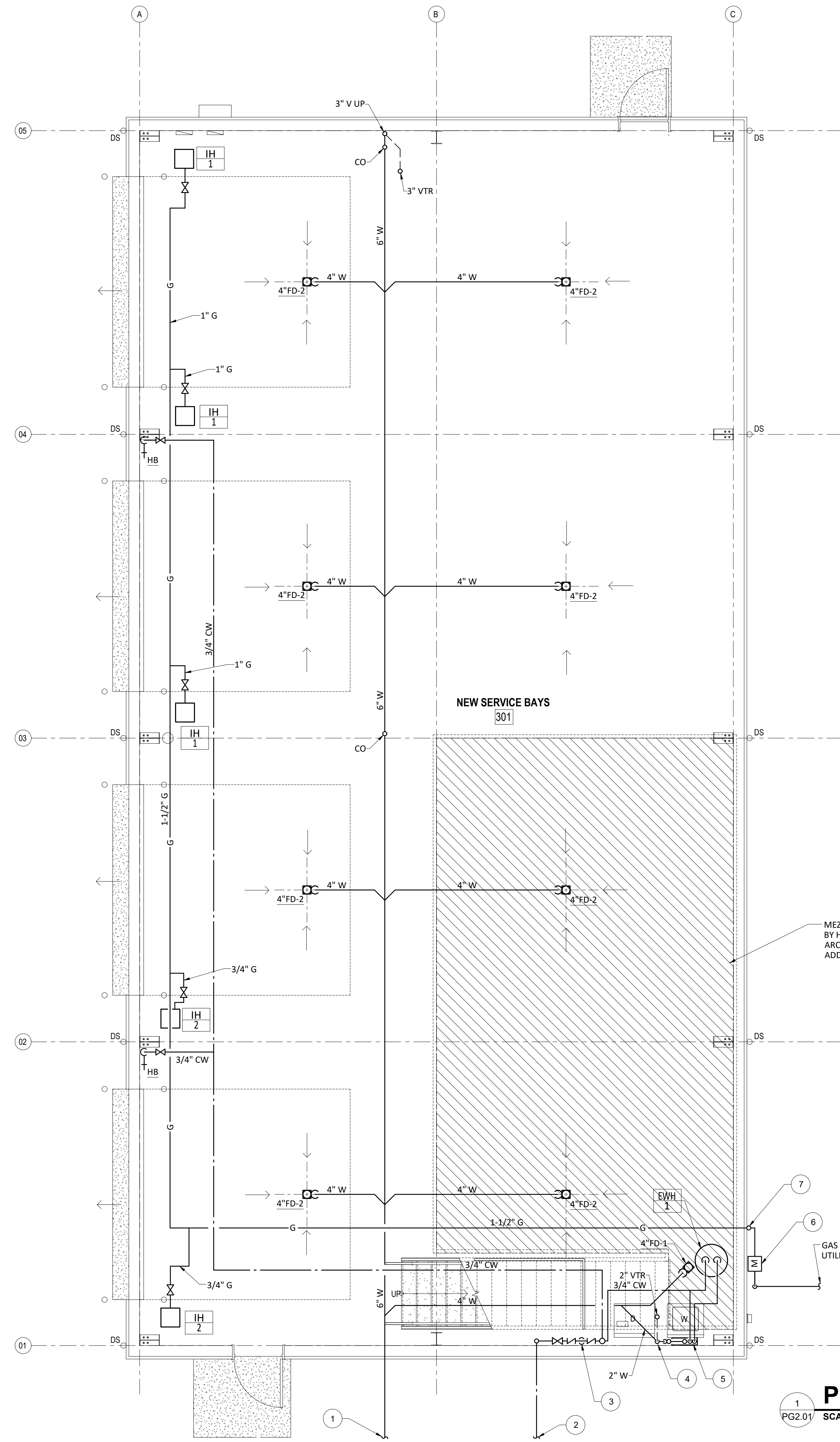
PLUMBING SPECIFICATIONS

415 ELECTRIC ROAD
SALEM, VIRGINIA 24153

DRAWN BY JNB
DESIGNED BY JNB
CHECKED BY JNB
DATE 2024-08-30
SCALE AS NOTED
REVISIONS

PG1.02

PROJECT NO 03220052.01



- KEYED NOTES:**
- 6" SANITARY SERVICE BELOW GRADE. REFER TO SITE UTILITY PLAN FOR CONTINUATION. INVERT ELEVATION = -36 INCHES, RELATIVE TO FINISHED FLOOR ELEVATION.
 - 3/4" DOMESTIC WATER SERVICE BELOW GRADE. REFER TO SITE UTILITY PLAN FOR CONTINUATION.
 - 3/4" RPZ RPZ BACKFLOW PREVENTER. INSTALL AT 24" AFF AND PROVIDE 6" HUB DRAIN BELOW FOR DISCHARGE RELIEF AND ROUTE DRAIN LINE THRU PLAN NORTH WALL AND TERMINATE W/ DOWNSPOUT COVER, ZURN MODEL Z-199
 - 2" WASTE DOWN AND 2" VENT UP.
 - 1/2" CW AND HW DOWN TO WASHER BOX.
 - NEW GAS METER AND PRESSURE REGULATOR SET FOR 10 IN. W.C. DELIVERY PRESSURE TO BUILDING. TOTAL GAS LOAD = 380 CFH. PIPING SIZED FOR 160FT OF RUN AT 0.5 IN. W.C. PRESSURE LOSS.
 - 1-1/2" GAS UP EXTERIOR WALL AND INTO BUILDING AS HIGH AS POSSIBLE AT ROOF.

PLUMBING NEW WORK PLAN - GARAGE

SCALE = 1/4"=1'-0"



BALZER & ASSOCIATES
 PLANNERS / ARCHITECTS
 ENGINEERS / SURVEYORS

Roanoke / Richmond
 Shenandoah Valley
 New River Valley
www.balzer.cc
 1208 Corporate Circle
 Roanoke, VA 24018
 540.772.9580



SALEM VA



SALEM FIRE STATION #2 - NEW SERVICE BAYS
 NEW CONSTRUCTION
 PLUMBING NEW WORK PLAN - GARAGE

DRAWN BY JNB
 DESIGNED BY JNB
 CHECKED BY JNB
 DATE 2024-08-30
 SCALE AS NOTED
 REVISIONS

PG2.01
 PROJECT NO 03220052.01



BALZER & ASSOCIATES
 PLANNERS / ARCHITECTS
 ENGINEERS / SURVEYORS

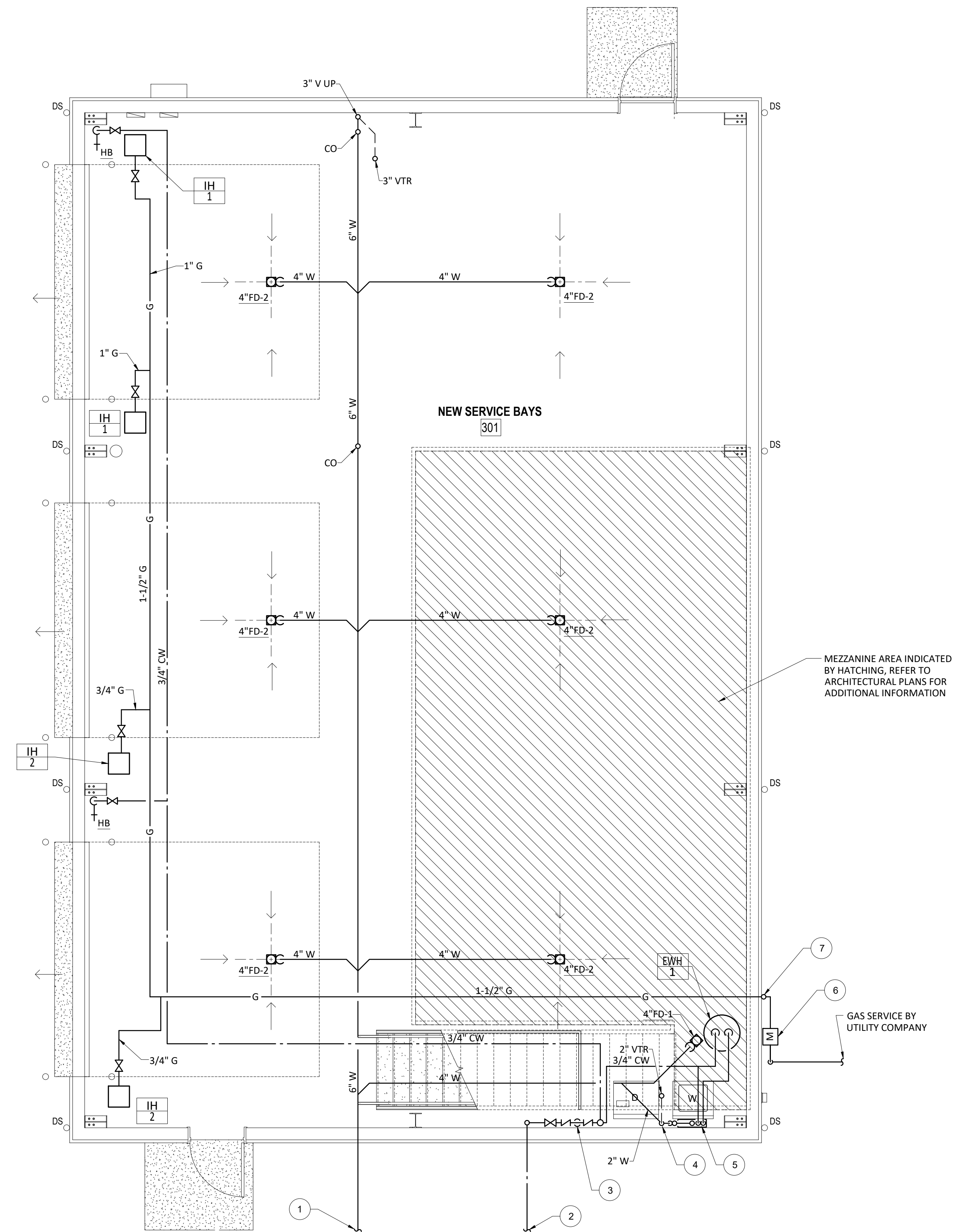
Roanoke / Richmond
 Shenandoah Valley
 New River Valley

www.balzer.cc

1208 Corporate Circle
 Roanoke, VA 24018
 540.772.9580



SALEM VA



KEYED NOTES:

- 1 6" SANITARY SERVICE BELOW GRADE. REFER TO SITE UTILITY PLAN FOR CONTINUATION. INVERT ELEVATION = -36 INCHES, RELATIVE TO FINISHED FLOOR ELEVATION.
- 2 3/4" DOMESTIC WATER SERVICE BELOW GRADE. REFER TO SITE UTILITY PLAN FOR CONTINUATION.
- 3 3/4" RPZ RPZ BACKFLOW PREVENTER. INSTALL AT 24" AFF AND PROVIDE 6" HUB DRAIN BELOW FOR DISCHARGE RELIEF AND ROUTE DRAIN LINE THRU PLAN NORTH WALL AND TERMINATE W/ DOWNSPOUT COVER, ZURN MODEL Z-199
- 4 2" WASTE DOWN AND 2" VENT UP.
- 5 1/2" CW AND HW DOWN TO WASHER BOX.
- 6 NEW GAS METER AND PRESSURE REGULATOR SET FOR 10 IN. W.C. DELIVERY PRESSURE TO BUILDING. TOTAL GAS LOAD = 280 CFH. PIPING SIZED FOR 160FT OF RUN AT 0.5 IN. W.C. PRESSURE LOSS.
- 7 1-1/2" GAS UP EXTERIOR WALL AND INTO BUILDING AS HIGH AS POSSIBLE AT ROOF.

MEZZANINE AREA INDICATED BY HATCHING, REFER TO ARCHITECTURAL PLANS FOR ADDITIONAL INFORMATION

GAS SERVICE BY UTILITY COMPANY

1 PLUMBING NEW WORK PLAN - ALTERNATE
 PG2.02 SCALE = 1/4"=1'-0"

SALEM FIRE STATION #2 - NEW SERVICE BAYS

NEW CONSTRUCTION
 PLUMBING NEW WORK PLAN -
 GARAGE ALTERNATE

415 ELECTRIC ROAD
 SALEM, VIRGINIA 24163

DRAWN BY JNB
 DESIGNED BY JNB
 CHECKED BY JNB
 DATE 2024-08-30
 SCALE AS NOTED
 REVISIONS

PG2.02
 PROJECT NO 03220052.01