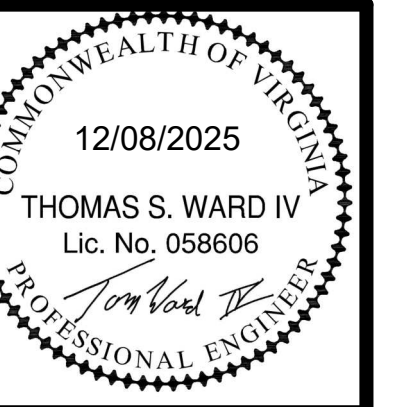


Revisions		
No.	Date	Description

DRAWN BY: JR/SS
 CHECKED BY: JDW

PLUMBING GENERAL NOTES AND LEGEND



COMMISSION No.
24069
 SHEET
P0-1

FLUID OPERATING TEMP. RANGE & USAGE (°F)	INSULATION CONDUCTIVITY		NOMINAL PIPE OR TUBE SIZE (IN)				
	CONDUCTIVITY	MEAN RATING TEMP. (°F)	< 1	1 TO <1-1/2	1-1/2 TO <4	4 TO <8	> 8
> 350	0.32 - 0.34	250	4.5	5.0	5.0	5.0	5.0
251 - 350	0.29 - 0.32	200	3.0	4.0	4.5	4.5	4.5
201 - 250	0.27 - 0.30	150	2.5	2.5	2.5	3.0	3.0
141 - 200	0.25 - 0.29	125	1.5	1.5	2.0	2.0	2.0
105 - 140	0.21 - 0.28	100	1.0	1.0	1.5	1.5	1.5

- THESE VALUES ARE TAKEN FROM ASHRAE 90.1 AND ARE PROVIDED FOR DESIGN REFERENCE. ANY DEVIATIONS REQUIRED BY LOCAL CODES, AUTHORITY HAVING JURISDICTION (AHJ), OR PROJECT-SPECIFIC REQUIREMENTS SHALL TAKE PRECEDENCE.
- STORM PIPING INSULATION SHALL HAVE 1.0 INCH THICKNESS.
- WASTE PIPING RECEIVING CONDENSATE SHALL HAVE 1.0 INCH THICKNESS.
- DOMESTIC COLD WATER IN CONDITIONED SPACES SHALL HAVE 0.5 INCH THICKNESS.
- DOMESTIC COLD WATER IN UNCONDITIONED SPACES SHALL HAVE 1.0 INCH THICKNESS.

PIPING SUPPORT/HANGER SPACING

SANITARY WASTE/VENT, STORM AND DOMESTIC WATER PER INTERNATIONAL PLUMBING CODE (IPC) - TABLE 308.5		
PIPE MATERIAL	MAXIMUM HORIZONTAL SPACING	MAXIMUM VERTICAL SPACING
CAST IRON	10'-0" *	15'-0"
CPVC, 1" AND SMALLER	3'-0"	10'-0" **
CPVC, 1-1/4" AND LARGER	4'-0"	10'-0" **
COPPER / COPPER ALLOY PIPE	3'-0"	10'-0"
COPPER / COPPER ALLOY TUBING 1-1/4" AND SMALLER	6'-0"	10'-0"
COPPER / COPPER ALLOY TUBING 1-1/2" AND LARGER	10'-0"	10'-0"
POLYPROPYLENE (PP) 1" AND SMALLER	2'-8"	10'-0" **
POLYVINYL CHLORIDE (PVC)	4'-0"	10'-0" **
STAINLESS STEEL DRAINAGE	10'-0"	10'-0" **
NATURAL GAS PER INTERNATIONAL FUEL GAS CODE (IFGC) TABLE 407.2		
PIPE SIZE	MAXIMUM HORIZONTAL SPACING	
1/2"	6'-0"	
3/4" - 1"	8'-0"	
1-1/4" AND LARGER	10'-0"	
MEDICAL AIR AND GAS (PER NFPA 99)		
PIPE SIZE	MAXIMUM HORIZONTAL SPACING	
1/2"	6'-0"	
3/4" - 1"	8'-0"	
1-1/4" AND LARGER	10'-0"	
* THE MAXIMUM HORIZONTAL SPACING OF CAST-IRON PIPE HANGERS SHALL BE INCREASED TO 10'-0" WHERE 10-FOOT LENGTHS OF PIPE ARE INSTALLED.		
** FOR SIZES 2" AND SMALLER, A GUIDE SHALL BE INSTALLED MIDWAY BETWEEN REQUIRED VERTICAL SUPPORTS. SUCH GUIDES SHALL PREVENT PIPE MOVEMENT IN A DIRECTION PERPENDICULAR TO THE AXIS OF PIPE.		
NOTE: TABLE FOR REFERENCE ONLY. CONTRACTOR SHALL VERIFY PIPE SUPPORT SPACING REQUIREMENTS WITH CURRENT CODE AND AUTHORITY HAVING JURISDICTION.		

PLUMBING GENERAL NOTES

- ALL WORK, METHODS AND INSTALLATIONS INVOLVED IN THE PLUMBING DESIGN SHALL BE IN ACCORDANCE WITH THE CITY BUILDING CODE, INSPECTION REGULATIONS AND ALL OTHER OFFICIALS HAVING JURISDICTION.
- ALL SANITARY PIPING 3" AND LARGER ROUTED AT 1/8" SLOPE PER FOOT UNLESS OTHERWISE NOTED. ALL PIPE LESS THAN 3" SHALL BE ROUTED AT 1/4" SLOPE PER FOOT.
- EACH VENT SHALL TERMINATE VERTICALLY NOT LESS THAN 6" ABOVE ROOF. MAINTAIN MINIMUM 10'-0" DISTANCE BETWEEN VENT TERMINALS THROUGH ROOF AND ALL FRESH AIR INTAKES, AND A MINIMUM 5'-0" FROM ANY EXTERIOR WALL.
- CONTRACTOR TO FIELD VERIFY AS NECESSARY THE EXACT ROUTING AND SIZES OF ALL PIPING.
- PROVIDE A TWO-WAY CLEANOUT AT CIVIL'S POINT OF CONNECTION.
- CONTRACTOR SHALL COORDINATE ROUTING OF PIPING BELOW SLAB WITH COLUMN FOOTINGS, GRADE BEAMS, UNDERGROUND PLUMBING AND ELECTRICAL UTILITIES, AND OTHER SUB-SURFACE BUILDING ELEMENTS.
- CONTRACTOR SHALL COORDINATE ROUTING OF PIPING IN CEILING SPACES WITH MECHANICAL AND ELECTRICAL EQUIPMENT, DUCTWORK AND CONDUIT. SHOULD A CONFLICT OCCUR THE CONTRACTOR SHALL NOTIFY THE ARCHITECT/ENGINEER PRIOR TO INSTALLING AN ALTERNATE PIPING PLAN.
- COORDINATE ALL FIXTURE AND EQUIPMENT LOCATIONS AND CONNECTION REQUIREMENTS WITH LATEST ARCHITECTURAL DRAWINGS AND SPECIFICATIONS PRIOR TO ANY ROUGH-INS.
- DO NOT ROUGH-IN FROM THESE DRAWINGS. REFER TO LATEST ARCHITECTURAL DRAWINGS FOR DIMENSIONED LOCATIONS.
- PRIOR TO BEGINNING CONSTRUCTION, COORDINATE BUILDING BACKFLOW PREVENTION REQUIREMENTS WITH THE LOCAL AUTHORITY HAVING JURISDICTION AND PROVIDE AS DIRECTED.
- CONTRACTOR TO MAKE FINAL CONNECTIONS TO DENTAL EQUIPMENT. COORDINATION SIZE AND LOCATION OF ALL CONNECTIONS WITH EQUIPMENT PROVIDER. INSTALL PER MANUFACTURER'S INSTRUCTIONS AND PER DENTAL VENDOR DRAWINGS. REFER TO ARCHITECTURAL DRAWINGS FOR EXACT LOCATION OF EQUIPMENT.
- FIRE RATED APPLICATIONS: WHERE PIPING IS ROUTED WITHIN OR THROUGH FIRE-RESISTANCE RATED ASSEMBLIES, PROVIDE LISTED FIRE-RATED INSULATION FIRESTOP SYSTEM AS REQUIRED BY THE 2021 VIRGINIA CONSTRUCTION CODE AND THE APPLICABLE UL OR INTERTEK LISTING. FACTORY-PROVIDED INSULATION SHALL BE REMOVED ONLY WHERE IT CONFLICTS WITH THE REQUIREMENTS OF THE LISTED FIRE-RESISTIVE ASSEMBLY OR LISTED FIRESTOP SYSTEM.

FIRE SPRINKLER NOTES

- DESIGN AND FURNISH LABOR AND MATERIALS FOR THE COMPLETE INSTALLATION OF A HYDRAULICALLY-CALCULATED AUTOMATIC WET PIPE FIRE SPRINKLER SYSTEM WITH THE ATTENDANT ACCESSORIES FOR ENTIRE AREA. LICENSED SPRINKLER CONTRACTOR TO PROVIDE DRAWINGS AND HYDRAULIC CALCULATIONS FOR AN AUTOMATIC FIRE SPRINKLER SYSTEM FOR THIS BUILDING. TO COMPLY WITH SPACE LAYOUT, NFPA 13, ALL STATE AND LOCAL CODE REQUIREMENTS. REFER TO SPECIFICATIONS FOR ADDITIONAL INFORMATION.
- STUDY THE GENERAL, STRUCTURAL, ELECTRICAL AND MECHANICAL DRAWINGS AND SPECIFICATIONS. IN ORDER TO BECOME FAMILIAR WITH THE BUILDING AND DETAILS AS THEY APPLY TO THE WORK OF THIS SECTION. COOPERATE WITH OTHERS SO THAT THERE WILL BE NO CONFLICT OF SPACE REQUIRED. DUCTWORK AND ELECTRICAL WORK SHALL TAKE PRECEDENCE OVER OTHER WORK, EXCEPT WHERE IT IS ABSOLUTELY NECESSARY TO MAINTAIN COVERAGE PROTECTION.
- THE INSTALLATION OF THE ENTIRE SPRINKLER SYSTEMS SHALL COMPLY WITH ALL RULES AND REGULATIONS OF THE NATIONAL BOARD OF FIRE UNDERWRITERS, THE STANDARD BUILDING CODE, REQUIREMENTS OF NFPA PAMPHLET 13, AND OTHER LOCAL AUTHORITIES EXERCISING JURISDICTION.
- IT SHALL BE THE FIRE PROTECTION INSTALLERS RESPONSIBILITY, PRIOR TO BID, TO VERIFY PRESSURE AT THE PROJECT SITE BY PERFORMING A FLOW TEST. DETERMINE IF THE AVAILABLE STATIC AND RESIDUAL PRESSURE WILL ADEQUATELY PROVIDE THE FIRE EXTINGUISHING SYSTEM WITH THE NECESSARY PRESSURE OR IF A FIRE PUMP, BREAK TANK AND NECESSARY APPURTENANCES ARE REQUIRED.
- REFER TO SPECIFICATIONS FOR PIPE MATERIALS.

APPLICABLE CODES

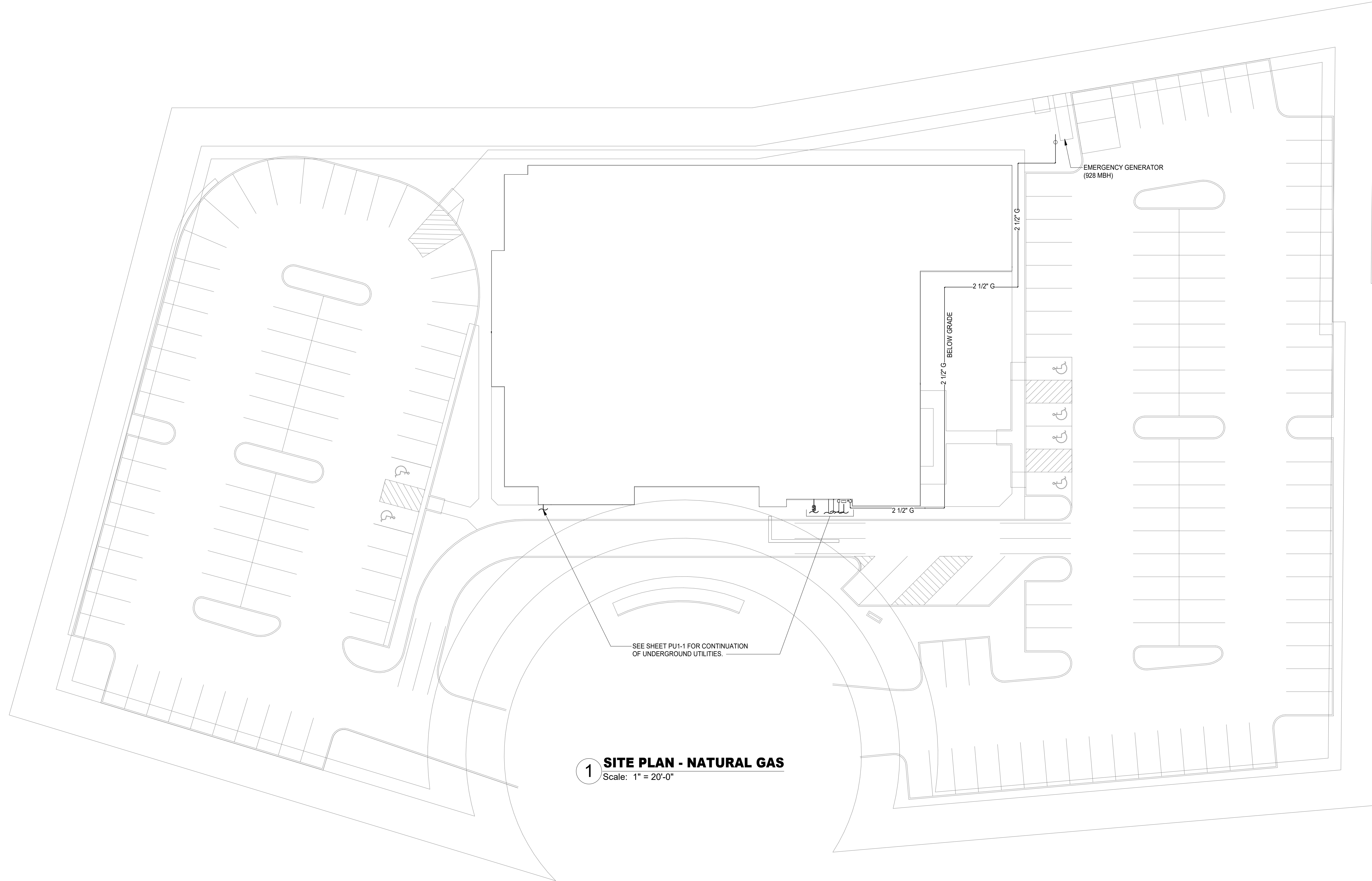
- 2021 VIRGINIA CONSTRUCTION CODE (IBC)
- 2021 INTERNATIONAL ENERGY CONSERVATION CODE (IECC)
- 2021 INTERNATIONAL FUEL GAS CODE (IFGC)
- 2021 INTERNATIONAL MECHANICAL CODE (IMC)
- 2021 INTERNATIONAL PLUMBING CODE (IPC)
- 2021 ICC A117.2 ACCESSIBLE AND USABLE BUILDINGS AND FACILITIES
- NFPA 99: HEALTHCARE FACILITIES
- NFPA 55: COMPRESSED GASES AND CRYOGENIC FLUIDS CODE
- NFPA 13: STANDARD FOR THE INSTALLATION OF SPRINKLER SYSTEMS
- NFPA 11: STANDARD FOR LOW-, MEDIUM-, AND HIGH- EXPANSION FOAM

PLUMBING PIPING LEGEND

SYMBOLS	DESCRIPTION
	SANITARY OR WASTE PIPING ABOVE GRADE (SAN)
	SANITARY OR WASTE PIPING BELOW GRADE (SAN)
	STORM DRAIN PIPING (SD)
	OVERFLOW DRAIN (OFD)
	PUMPED WASTE (PW)
	VENT PIPING (V)
	COLD WATER PIPING (CW)
	HOT WATER PIPING (HW)
	HOT WATER RETURN PIPING (HWR)
	TEPID WATER PIPING (TW)
	FIRE PROTECTION PIPING (F)
	AUTOMATIC SPRINKLER PIPING (AS)
	NATURAL GAS PIPING (G)
	GAS VENT PIPING (GV)
	COMPRESSED AIR PIPING (A)
	FLOW DIRECTIONAL ARROW
	SHUT-OFF VALVE
	BALANCING VALVE (BV)
	SOLENOID VALVE (SV)
	BALL VALVE
	BUTTERFLY VALVE
	LUBRICATED PACKED PLUG STOP STOP COCK (PC)
	HORIZONTAL SWING CHECK
	UNION
	STRAINER
	REDUCER OR INCREASER
	ECCENTRIC REDUCER
	REDUCED PRESSURE BACKFLOW PREVENTER (RPBPF)
	WATER HAMMER ARRESTOR (WHA)
	PIPING DOWN
	RISE OR DROP PIPING
	PIPING UP -OR- PIPING UP & DOWN
	CAP ON END OF PIPE
	CLEANOUT (WALL OR CEILING) (CO)
	FLOOR CLEANOUT (FCO)
	EXTERIOR CLEANOUT WITH 18"x18"x4" CONCRETE PAD (ECO)
	TWO-WAY CLEANOUT (PROVIDE 18"x24"x4" CONCRETE PAD OUTSIDE)
	BRANCH CONNECTION OUT OF TOP
	BRANCH CONNECTION OUT OF BOTTOM
	BRANCH CONNECTION OUT OF SIDE
	WYE & 1/8TH BEND BRANCH CONNECTION
	WYE BRANCH CONNECTION
	HOSE BIBB
	PRESSURE GAUGE WITH COCK
	THERMOMETER
	GAS METER
	WALL HYDRANT
	VALVE IN RISE
	ASME TEMPERATURE & PRESSURE RELIEF VALVE
	VACUUM RELIEF VALVE
	ANGLE VALVE
	ROOF DRAIN
	REFER TO KEYED NOTE
	FLOOR DRAIN (FD)
	FLOOR DRAIN WITH P-TRAP (FD)
	FLOOR DRAIN WITH P-TRAP AT 45° ANGLE (FD)
	HUB DRAIN (HD)
	SHOCK ABSORBER
	VENT THRU ROOF
	BELOW FINISHED FLOOR
	ABOVE FINISHED FLOOR
	DELTA CHANGE SYMBOL

DATE: December 8, 2025

Revisions		
No.	Date	Description



1 SITE PLAN - NATURAL GAS
 Scale: 1" = 20'-0"

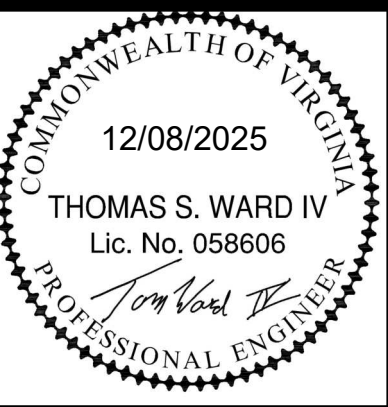
SEE SHEET PU-1 FOR CONTINUATION OF UNDERGROUND UTILITIES.

EMERGENCY GENERATOR (628 MBH)

New Facility For
Community Health Center of the New River Valley
 145 Akers Farm Road Town of Christiansburg, Virginia

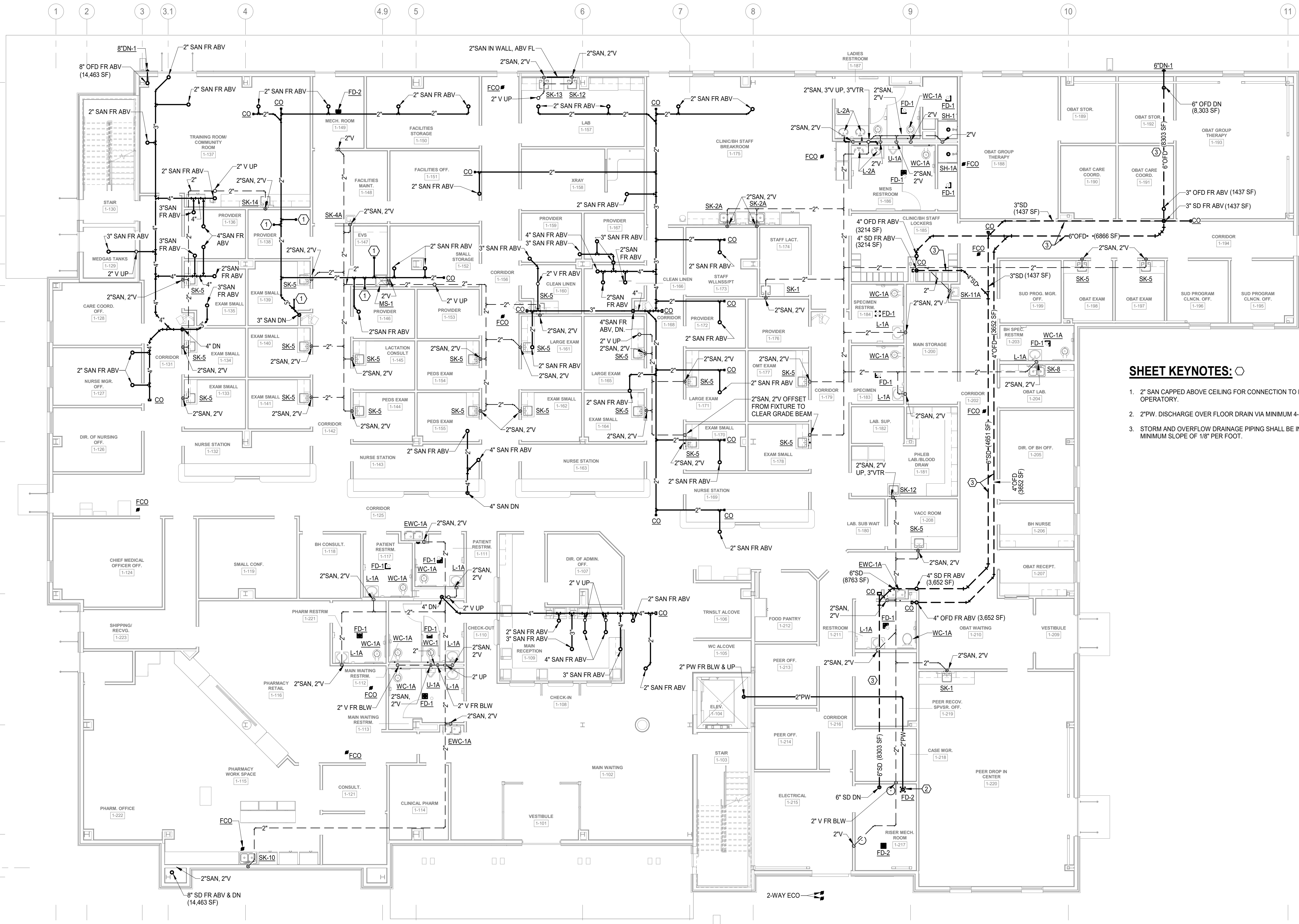
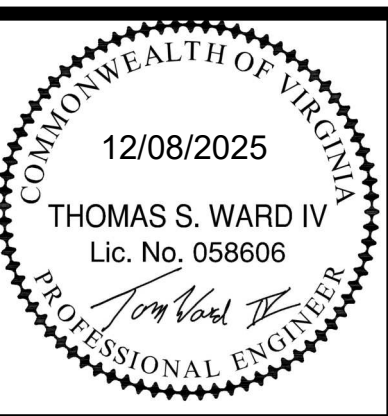
DRAWN BY: JR/SS
 CHECKED BY: JDW

SITE PLAN - NATURAL GAS



COMMISSION No.
24069
 SHEET
P1-1

Revisions		
No.	Date	Description



- SHEET KEYNOTES:** ○
- 2" SAN CAPPED ABOVE CEILING FOR CONNECTION TO FUTURE OPERATORY.
 - 2" PW DISCHARGE OVER FLOOR DRAIN VIA MINIMUM 4-INCH AIR GAP.
 - STORM AND OVERFLOW DRAINAGE PIPING SHALL BE INSTALLED AT MINIMUM SLOPE OF 1/8" PER FOOT.

1 FIRST FLOOR PLAN - WASTE
 Scale: 1/8" = 1'-0"

DATE: December 8, 2025

Revisions		
No.	Date	Description



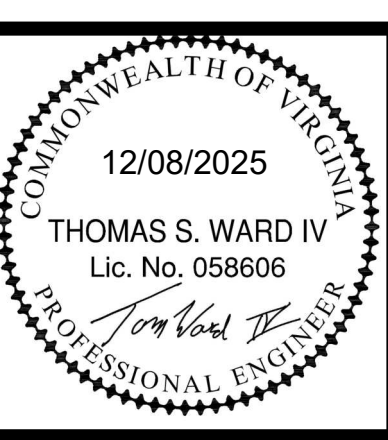
SHEET KEYNOTES: ○

- NOT USED.
- 2" SAN CAPPED WITHIN WALL FOR CONNECTION TO FUTURE OPERATORY SINK.
- STORM AND OVERFLOW DRAINAGE PIPING SHALL BE INSTALLED AT MINIMUM SLOPE OF 1/8" PER FOOT.

New Facility For
Community Health Center
 of the New River Valley
 145 Akers Farm Road
 Town of Christiansburg, Virginia

DRAWN BY: JR/SS
 CHECKED BY: JDW

SECOND FLOOR
PLAN - WASTE



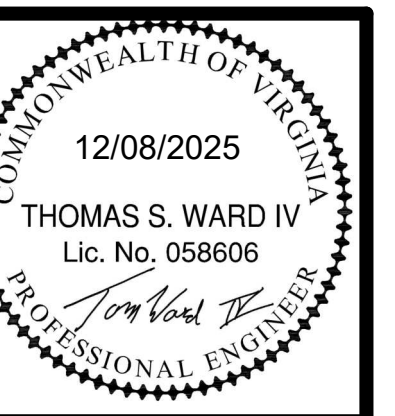
COMMISSION No.
24069
 SHEET
PW1-2
 © COPYRIGHT 2025
 HUGHES ASSOCIATES ARCHITECTS & ENGINEERS
 A PROFESSIONAL CORPORATION

1 SECOND FLOOR PLAN - WASTE
 Scale: 1/8" = 1'-0"

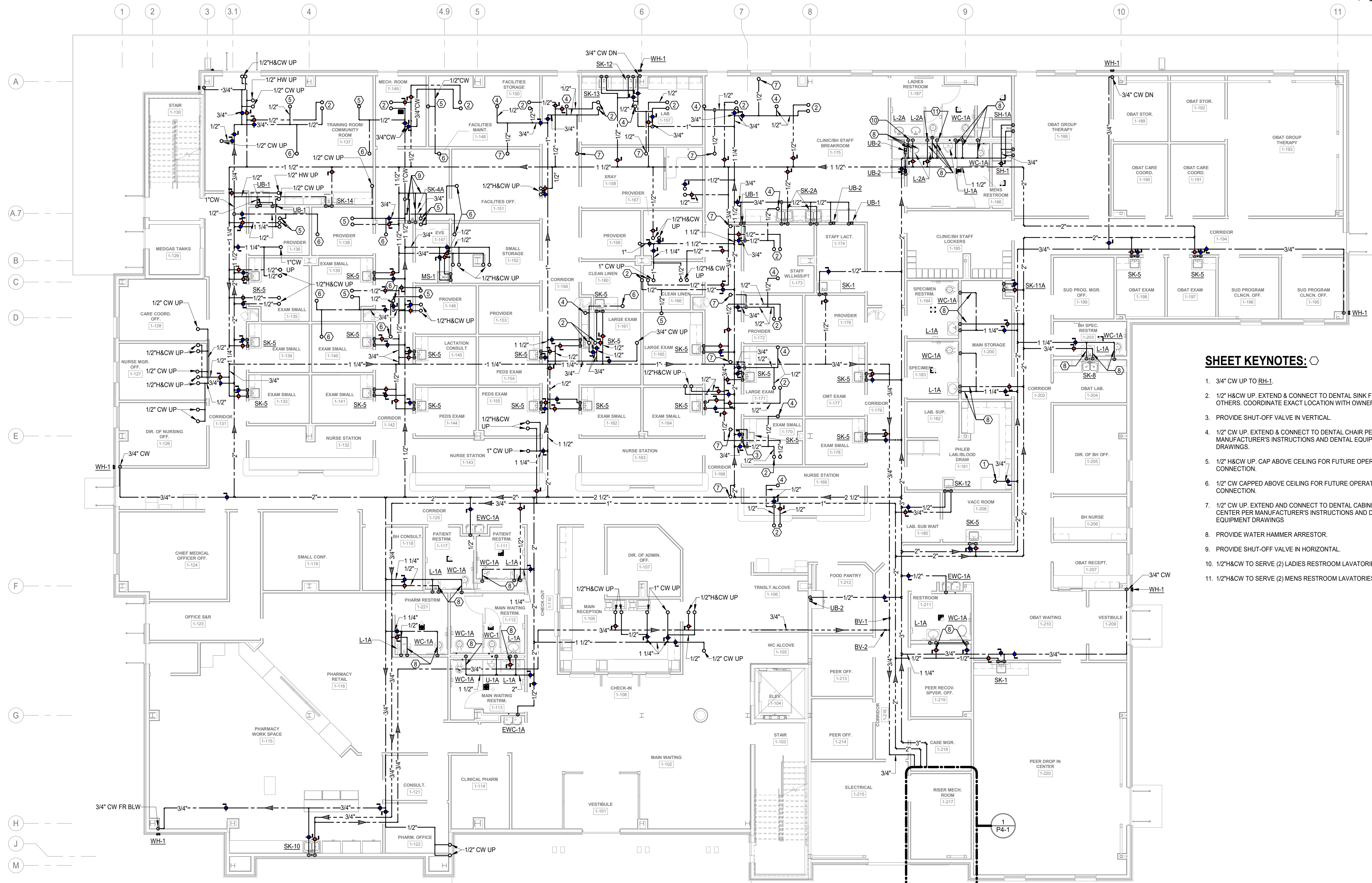
Revisions		
No.	Date	Description

DRAWN BY: JR/SS
 CHECKED BY: JDW

FIRST FLOOR
 PLAN - SUPPLY



COMMISSION No.
 24069
 SHEET
 PL1-1



SHEET KEYNOTES: ○

- 3/4" CW UP TO RH-1.
- 1/2" H&CW UP. EXTEND & CONNECT TO DENTAL SINK FURNISHED BY OTHERS. COORDINATE EXACT LOCATION WITH OWNER/ARCHITECT.
- PROVIDE SHUT-OFF VALVE IN VERTICAL.
- 1/2" CW UP. EXTEND & CONNECT TO DENTAL CHAIR PER MANUFACTURER'S INSTRUCTIONS AND DENTAL EQUIPMENT DRAWINGS.
- 1/2" H&CW UP. CAP ABOVE CEILING FOR FUTURE OPERATORY CONNECTION.
- 1/2" CW CAPPED ABOVE CEILING FOR FUTURE OPERATORY CONNECTION.
- 1/2" CW UP. EXTEND AND CONNECT TO DENTAL CABINET UTILITY CENTER PER MANUFACTURER'S INSTRUCTIONS AND DENTAL EQUIPMENT DRAWINGS.
- PROVIDE WATER HAMMER ARRESTOR.
- PROVIDE SHUT-OFF VALVE IN HORIZONTAL.
- 1/2" H&CW TO SERVE (2) LADIES RESTROOM LAVATORIES.
- 1/2" H&CW TO SERVE (2) MENS RESTROOM LAVATORIES.

1 FIRST FLOOR PLAN - SUPPLY
 Scale: 1/8" = 1'-0"

DATE: December 8, 2025

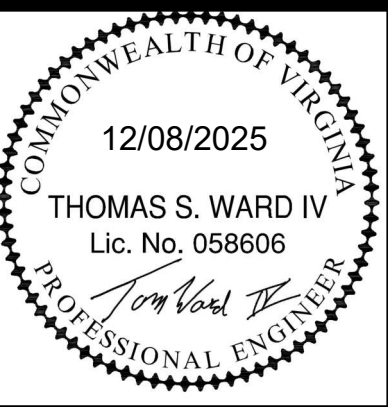
Revisions		
No.	Date	Description

HUGHES ASSOCIATES
 ARCHITECTS & ENGINEERS
 3800 ELECTRIC ROAD, SUITE 300 | ROANOKE, VIRGINIA 24018
 www.hughesae.com
 540.942.4002

New Facility For
Community Health Center
 of the New River Valley
 145 Akers Farm Road Town of Christiansburg, Virginia

DRAWN BY: JR/SS
 CHECKED BY: JDW

SECOND FLOOR
 PLAN - SUPPLY



COMMISSION No.
 24069
 SHEET
 PL1-2



SHEET KEYNOTES: ○

- 1/2" CW FROM BELOW. EXTEND & CONNECT TO DENTAL CHAIR PER MANUFACTURER'S INSTRUCTIONS. COORDINATE EXACT LOCATION WITH OWNER'S EQUIPMENT.
- 1" CW FR BELOW. EXTEND & CONNECT TO WATER TREATMENT SYSTEM FURNISHED BY OTHERS. INSTALL PER MANUFACTURER'S INSTRUCTIONS. PROVIDE WATTS MODEL LF909 BACKFLOW PREVENTER IN VERTICAL.
- 1/2" H&CW FROM BELOW. EXTEND & CONNECT TO DENTAL SINK FURNISHED BY OTHERS. COORDINATE EXACT LOCATION WITH OWNER'S FIXTURE.
- 1/2" H&CW CAPPED IN WALL FOR FUTURE.
- 1/2" H&CW FROM BELOW. EXTEND & CONNECT TO MODULAR STERILIZATION SINK MODULE. COORDINATE EXACT LOCATION WITH DENTAL EQUIPMENT. INSTALL PER MANUFACTURER'S INSTRUCTIONS AND DENTAL EQUIPMENT DRAWINGS.
- REMOTE WATER CONTROL VALVE FURNISHED BY DENTAL EQUIPMENT SUPPLIER. INSTALLED BY PLUMBING CONTRACTOR. LOCATE AND INSTALL PER MANUFACTURER'S INSTRUCTIONS AND DENTAL EQUIPMENT DRAWINGS.
- 1/2" CW FROM BELOW. UP TO CABINET UTILITY CENTER. COORDINATE EXACT LOCATION WITH DENTAL EQUIPMENT. INSTALL PER MANUFACTURER'S INSTRUCTIONS AND DENTAL EQUIPMENT DRAWINGS.
- NOT USED.
- 1/2" CW CAPPED BELOW FLOOR FOR CONNECTION TO FUTURE OPERATORY CABINET UTILITY CENTER.
- 1/2" CW CAPPED BELOW FLOOR FOR CONNECTION TO FUTURE OPERATORY DENTAL CHAIR.
- 1/2" CW CAPPED BELOW FLOOR FOR CONNECTION TO FUTURE OPERATORY CABINET UTILITY CENTER.

SEE ROOF PLAN, SHEET P1-3.

1 SECOND FLOOR PLAN - SUPPLY
 Scale: 1/8" = 1'-0"

Revisions		
No.	Date	Description



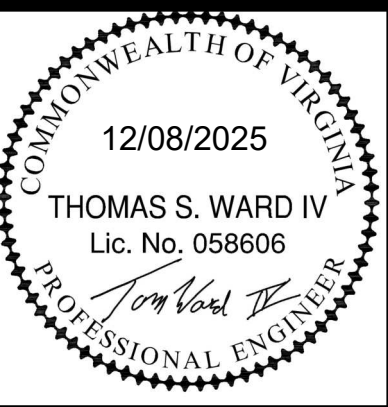
SHEET KEYNOTES:

- 3/4" NITROUS SCAVENGING PIPE FROM ABOVE. COORDINATE EXACT LOCATION WITH DENTAL EQUIPMENT LOCATIONS. EXTEND & CONNECT PER MANUFACTURER'S INSTRUCTIONS AND DENTAL EQUIPMENT DRAWINGS.
- 3/4" NITROUS SCAVENGING PIPE. CAP ABOVE CEILING AS SHOWN FOR CONNECTION TO FUTURE OPERATORY.
- 1" DENTAL VACUUM FROM ABOVE. COORDINATE EXACT LOCATION WITH DENTAL EQUIPMENT LOCATIONS. EXTEND & CONNECT PER MANUFACTURER'S INSTRUCTIONS AND DENTAL EQUIPMENT DRAWINGS.
- 1" DENTAL VACUUM PIPE. CAP ABOVE CEILING AS SHOWN FOR CONNECTION TO FUTURE OPERATORY.
- 3/4" DENTAL VACUUM FROM ABOVE. COORDINATE EXACT LOCATION OWNER EQUIPMENT. EXTEND & CONNECT PER MANUFACTURER'S INSTRUCTIONS AND DENTAL EQUIPMENT DRAWINGS.
- NITROUS OXIDE & OXYGEN MANIFOLD SYSTEM FURNISHED BY DENTAL EQUIPMENT SUPPLIER. INSTALLED BY PLUMBING CONTRACTOR. LOCATE AND INSTALL PER MANUFACTURER'S INSTRUCTIONS AND DENTAL EQUIPMENT DRAWINGS.
- 1/2" DENTAL AIR UP TO DENTAL CHAIR. EXTEND & CONNECT PER MANUFACTURER'S INSTRUCTIONS AND DENTAL EQUIPMENT DRAWINGS.
- 1/2" DENTAL AIR FROM ABOVE.
- 1/2" DENTAL AIR PIPE. CAP ABOVE CEILING AS SHOWN FOR CONNECTION TO FUTURE OPERATORY.
- 1/2" DENTAL AIR FROM ABOVE.

New Facility For
Community Health Center
 of the New River Valley
 145 Akers Farm Road Town of Christiansburg, Virginia

DRAWN BY: JR/SS
 CHECKED BY: JDW

FIRST FLOOR
 PLAN - DENTAL
 GAS



COMMISSION No.
 24069
 SHEET
 PG1-1

1 FIRST FLOOR PLAN - DENTAL GAS
 Scale: 1/8" = 1'-0"

Revisions		
No.	Date	Description



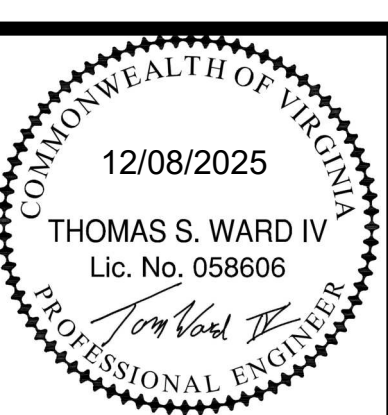
- SHEET KEYNOTES:**
- 3/4" NITROUS SCAVENGING PIPE DOWN. COORDINATE EXACT LOCATION WITH DENTAL EQUIPMENT LOCATIONS. EXTEND & CONNECT PER MANUFACTURER'S INSTRUCTIONS AND DENTAL EQUIPMENT DRAWINGS.
 - 1" DENTAL VACUUM PIPE DOWN. COORDINATE EXACT LOCATION WITH DENTAL EQUIPMENT LOCATIONS. EXTEND & CONNECT PER MANUFACTURER'S INSTRUCTIONS AND DENTAL EQUIPMENT DRAWINGS.
 - NITROUS OXIDE & OXYGEN EMERGENCY SHUT-OFF VALVE FURNISHED BY DENTAL EQUIPMENT PROVIDER. INSTALLED BY PLUMBING CONTRACTOR. COORDINATE EXACT LOCATION WITH DENTAL EQUIPMENT. INSTALL PER MANUFACTURER'S INSTRUCTIONS AND DENTAL EQUIPMENT DRAWINGS.
 - 1/2" COMPRESSED AIR LINE & VALVE. TERMINATE WITH 3/8" ANGLE VALVE. COORDINATE EXACT LOCATION WITH DENTAL EQUIPMENT. INSTALL PER MANUFACTURER'S INSTRUCTIONS AND DENTAL EQUIPMENT DRAWINGS.
 - 1/2" COMPRESSED AIR LINE & VALVE ABOVE COUNTERTOP. TERMINATE WITH 1/4" ANGLE VALVE. COORDINATE EXACT LOCATION WITH HANDPIECE MAINTENANCE SYSTEM (BY DENTAL EQUIPMENT SUPPLIER). INSTALL PER MANUFACTURER'S INSTRUCTIONS AND DENTAL EQUIPMENT DRAWINGS.
 - 1/2" COMPRESSED AIR LINE TO MODULAR STERILIZATION CENTER. COORDINATE EXACT LOCATION WITH DENTAL EQUIPMENT LOCATIONS. EXTEND & CONNECT PER MANUFACTURER'S INSTRUCTIONS AND DENTAL EQUIPMENT DRAWINGS.
 - OXYGEN OUTLET FURNISHED BY DENTAL EQUIPMENT SUPPLIER, INSTALLED BY PLUMBING CONTRACTOR. COORDINATE EXACT LOCATION WITH DENTAL EQUIPMENT SUPPLIER. INSTALL PER MANUFACTURER'S INSTRUCTIONS AND DENTAL EQUIPMENT DRAWINGS.
 - DENTAL AIR COMPRESSOR FURNISHED BY DENTAL EQUIPMENT SUPPLIER, INSTALLED BY PLUMBING CONTRACTOR. LOCATE AND INSTALL PER MANUFACTURER'S INSTRUCTIONS AND DENTAL EQUIPMENT DRAWINGS. PROVIDE ALL REQUIRED ACCESSORIES AND INSTALL FOR A COMPLETE SYSTEM.
 - DENTAL VACUUM PUMP FURNISHED BY DENTAL EQUIPMENT SUPPLIER, INSTALLED BY PLUMBING CONTRACTOR. LOCATE AND INSTALL PER MANUFACTURER'S INSTRUCTIONS AND DENTAL EQUIPMENT DRAWINGS. PROVIDE ALL REQUIRED ACCESSORIES AND INSTALL FOR A COMPLETE SYSTEM.
 - AMALGAM SEPARATOR FURNISHED BY DENTAL EQUIPMENT SUPPLIER, INSTALLED BY PLUMBING CONTRACTOR. LOCATE AND INSTALL PER MANUFACTURER'S INSTRUCTIONS AND DENTAL EQUIPMENT DRAWINGS.
 - 1/2" DENTAL AIR DOWN TO CABINET UTILITY CENTER FURNISHED BY DENTAL EQUIPMENT PROVIDER. LOCATE AND INSTALL PER MANUFACTURER'S INSTRUCTIONS AND DENTAL EQUIPMENT DRAWINGS.
 - 1/2" DENTAL AIR FROM BELOW. EXTEND & CONNECT TO DENTAL CHAIR PER MANUFACTURER'S INSTRUCTIONS AND DENTAL EQUIPMENT PLANS.
 - 1/2" DENTAL AIR DOWN TO BELOW FLOOR.
 - 1/2" N2O DOWN TO CABINET UTILITY CENTER FURNISHED BY DENTAL EQUIPMENT PROVIDER. LOCATE AND INSTALL PER MANUFACTURER'S INSTRUCTIONS AND DENTAL EQUIPMENT DRAWINGS.
 - 1/2" O2 DOWN TO CABINET UTILITY CENTER FURNISHED BY DENTAL EQUIPMENT PROVIDER. LOCATE AND INSTALL PER MANUFACTURER'S INSTRUCTIONS AND DENTAL EQUIPMENT DRAWINGS.
 - 1/2" DENTAL AIR DOWN IN WALL FOR FUTURE CABINET UTILITY CENTER. CAP IN WALL AND PROVIDE BLANK WALL COVER. COORDINATE ROUGH-IN HEIGHT AND COVER PLATE FINISH WITH OWNER/ARCHITECT.
 - 1/2" N2O DOWN IN WALL FOR FUTURE CABINET UTILITY CENTER. CAP IN WALL AND PROVIDE BLANK WALL COVER. COORDINATE ROUGH-IN HEIGHT AND COVER PLATE FINISH WITH OWNER/ARCHITECT.
 - 1/2" O2 DOWN TO CABINET UTILITY CENTER FURNISHED BY DENTAL EQUIPMENT PROVIDER. LOCATE AND INSTALL PER MANUFACTURER'S INSTRUCTIONS AND DENTAL EQUIPMENT DRAWINGS.
 - 3/4" DENTAL VACUUM PIPE DOWN. COORDINATE EXACT LOCATION WITH MODULAR STERILIZATION CENTER. EXTEND & CONNECT PER MANUFACTURER'S INSTRUCTIONS AND DENTAL EQUIPMENT DRAWINGS.

1 SECOND FLOOR PLAN - DENTAL GAS
 Scale: 1/8" = 1'-0"

New Facility For
Community Health Center
 of the New River Valley
 145 Akers Farm Road
 Town of Christiansburg, Virginia

DRAWN BY: JR/SS
 CHECKED BY: JDW

SECOND FLOOR
PLAN - DENTAL
GAS



COMMISSION No.
24069
 SHEET
PG1-2

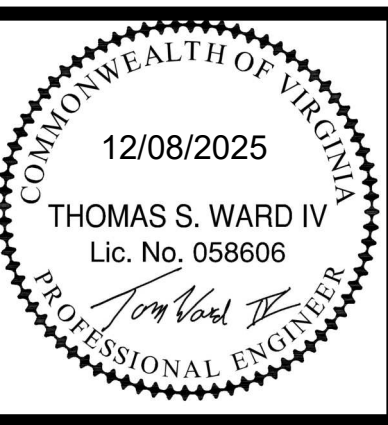
DATE: December 8, 2025

Revisions		
No.	Date	Description

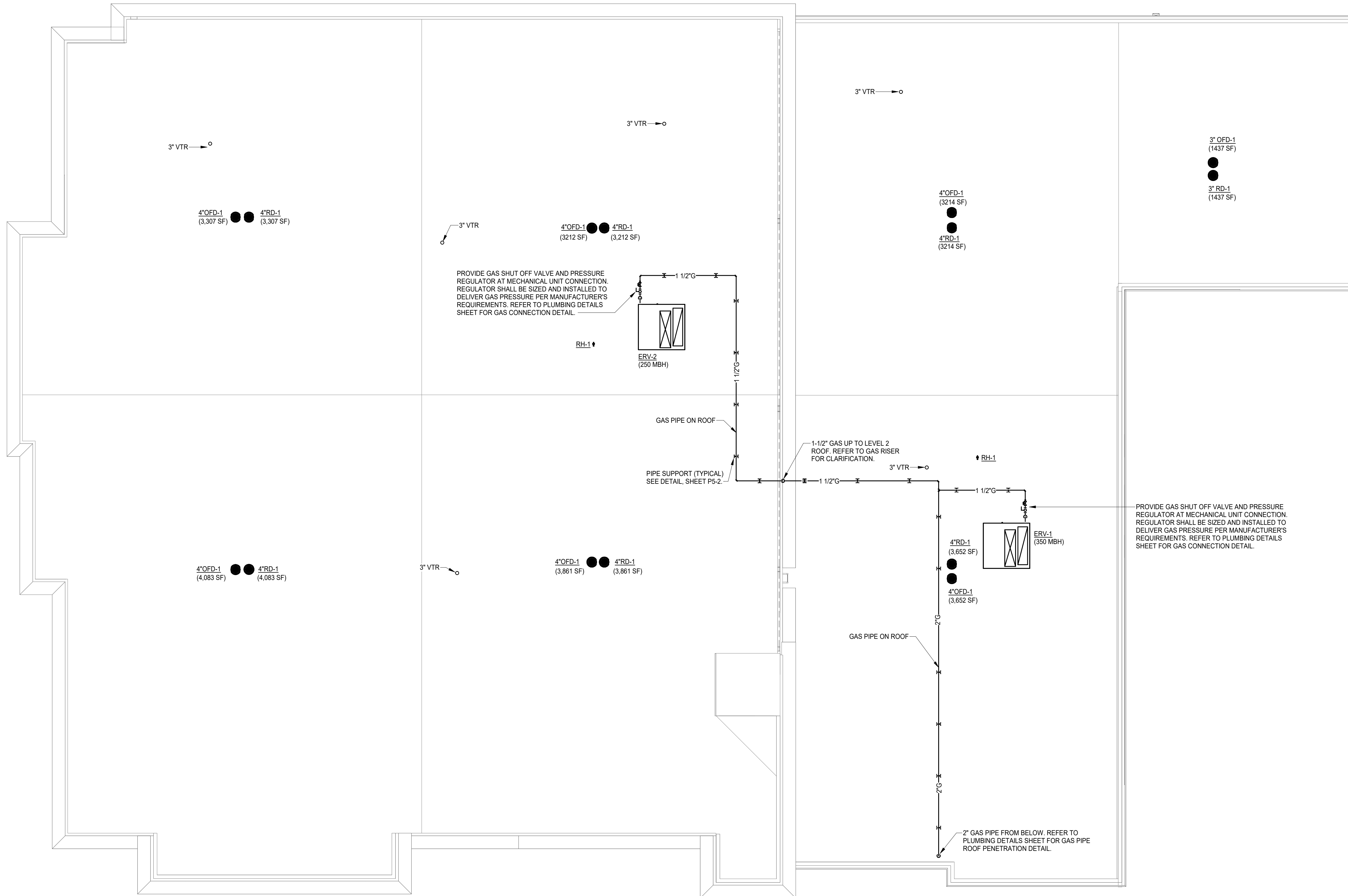
New Facility For
 Community Health Center
 of the New River Valley
 145 Akers Farm Road Town of Christiansburg, Virginia

DRAWN BY: JR/SS
 CHECKED BY: JDW

ROOF LEVEL -
 PLUMBING



COMMISSION No.
 24069
 SHEET
 P1-3
© COPYRIGHT 2025
 HUGHES ASSOCIATES ARCHITECTS & ENGINEERS
 A PROFESSIONAL CORPORATION



1 ROOF PLAN - PLUMBING
 Scale: 1/8" = 1'-0"

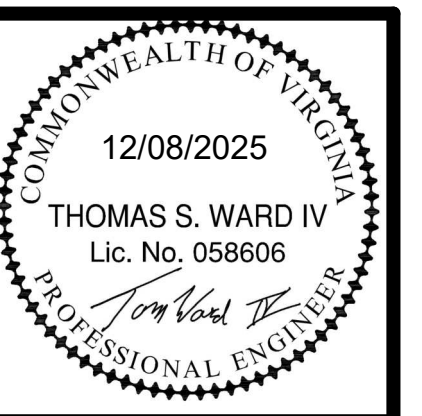
DATE: December 8, 2025

Revisions		
No.	Date	Description

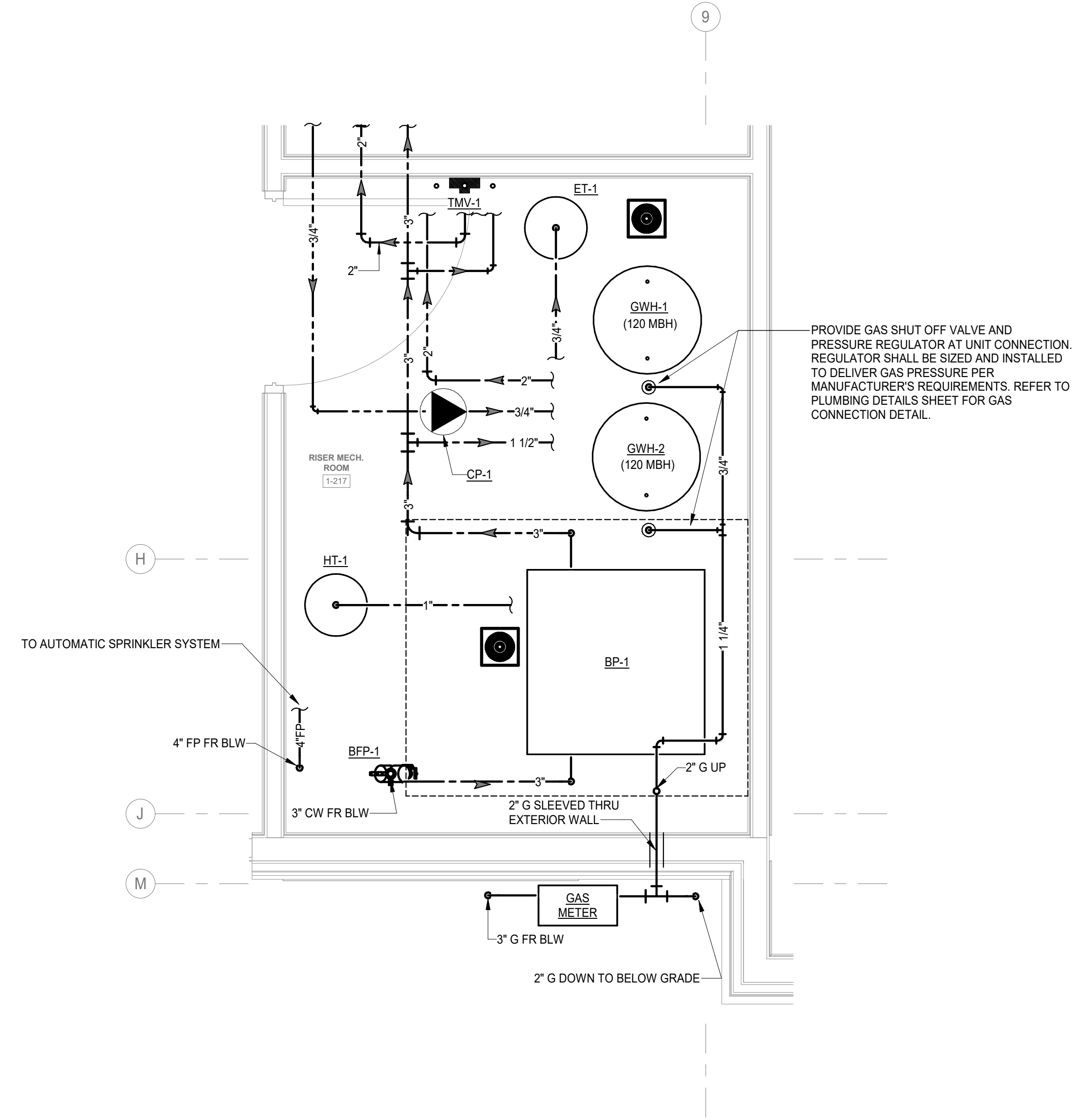
New Facility For
 Community Health Center
 of the New River Valley
 145 Akers Farm Road Town of Christiansburg, Virginia

DRAWN BY: JR/SS
 CHECKED BY: JDW

ENLARGED
 PLUMBING
 PLANS



COMMISSION No.
 24069
 SHEET
 P4-1
© COPYRIGHT 2025
 HUGHES ASSOCIATES ARCHITECTS & ENGINEERS
 A PROFESSIONAL CORPORATION



1 ENLARGED PLUMBING PLAN - SUPPLY - MECH. 1-217
 Scale: 1/2" = 1'-0"

5/11/2026 10:56:11 AM

Autodesk Docs://2450-70746-00 CHCNRY Community Health Center - Christiansburg, VA_MEFPV26.rvt

Salas O'Brien
 salasobrien.com
 Project No: 2450-70746-00 540-952-9651
 Roanoke
 119 Norfolk Avenue, Suite 310
 Roanoke, Virginia 24011

DATE: December 8, 2025

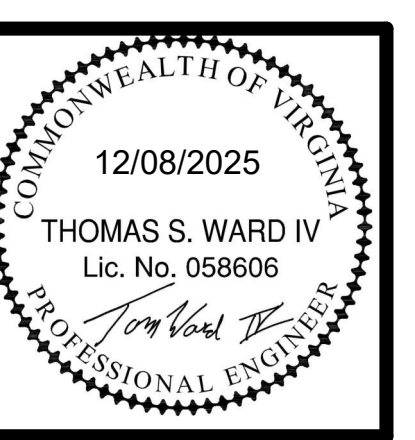
Revisions		
No.	Date	Description

HUGHES ASSOCIATES
 ARCHITECTS & ENGINEERS
 3800 ELECTRIC ROAD, SUITE 300 | ROANOKE, VIRGINIA 24018
 540.342.4002
 www.hughesae.com

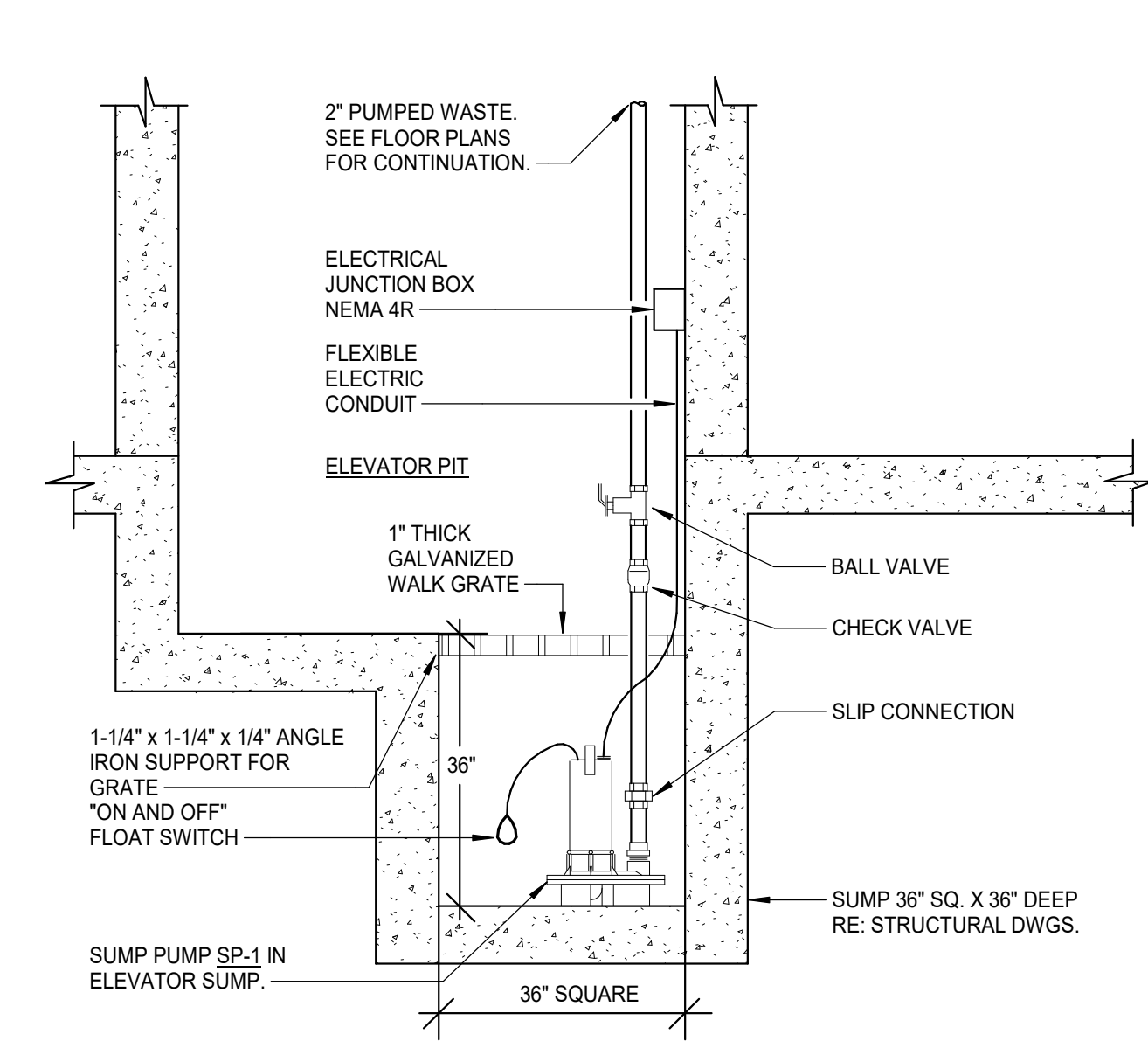
New Facility For
Community Health Center
 of the New River Valley
 Town of Christiansburg, Virginia
 145 Akers Farm Road

DRAWN BY: JR/SS
 CHECKED BY: JDW

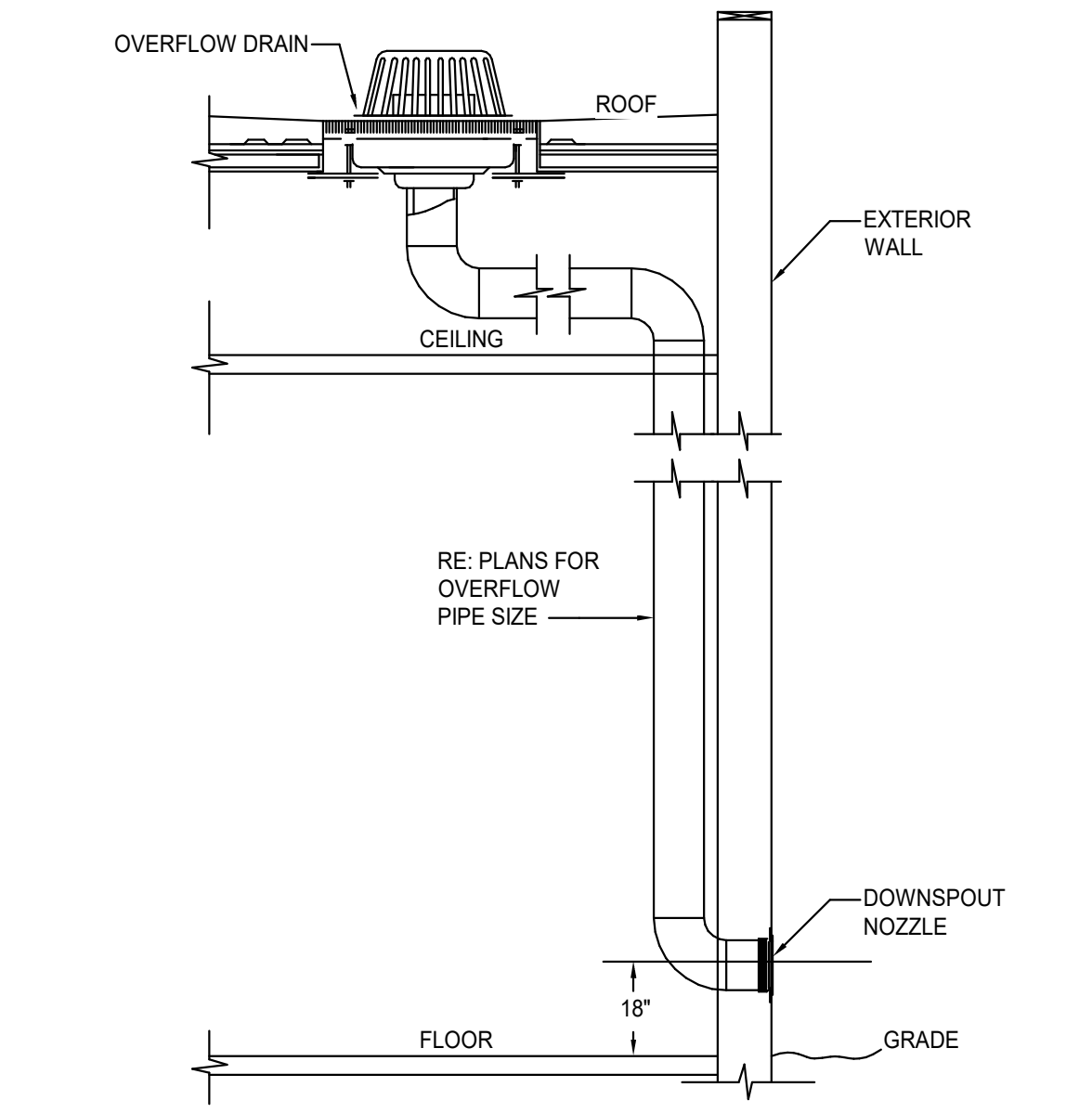
PLUMBING
 DETAILS



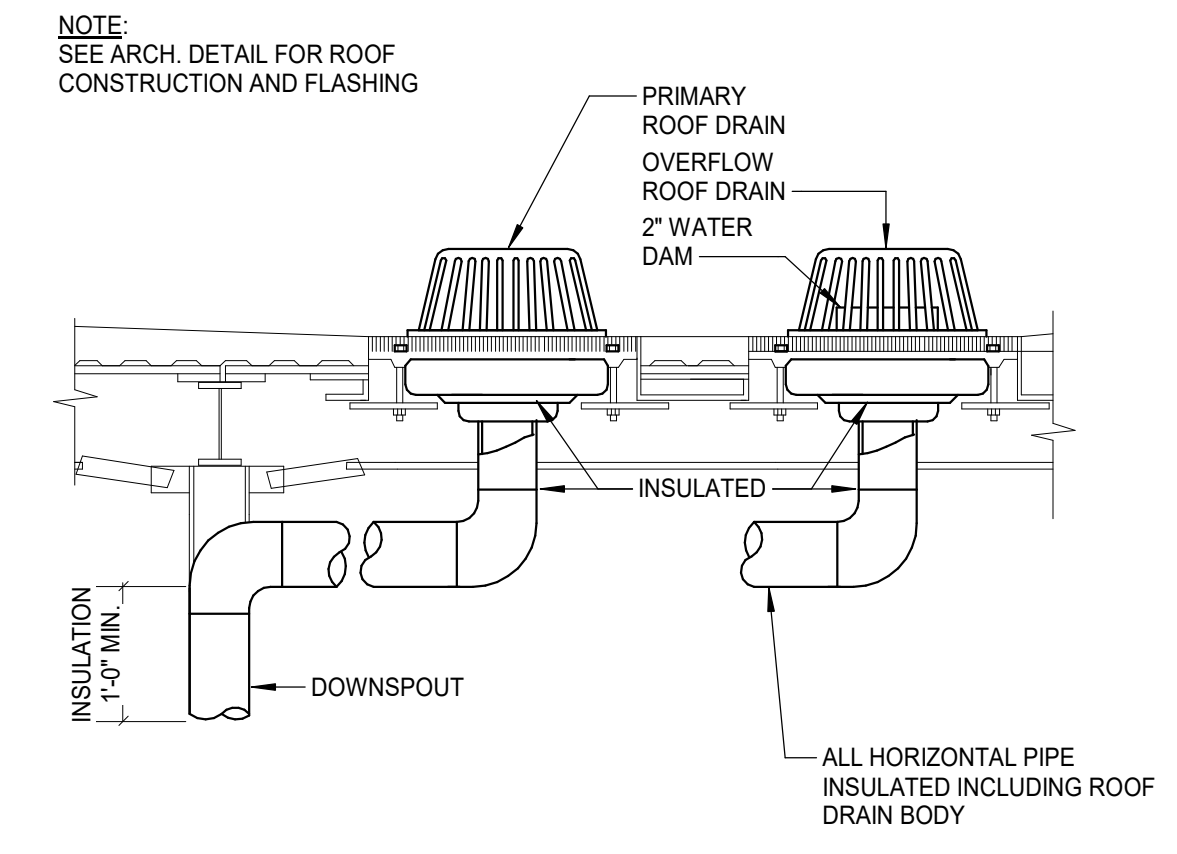
COMMISSION No.
 24069
 SHEET
 P5-1
© COPYRIGHT 2025 HUGHES ASSOCIATES ARCHITECTS & ENGINEERS A PROFESSIONAL CORPORATION



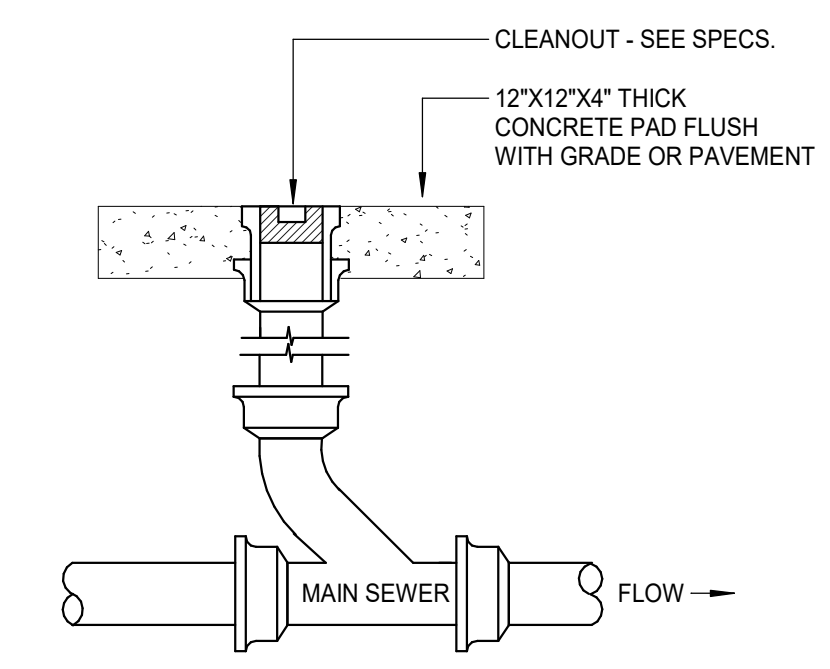
1 ELEVATOR SUMP PUMP PIT - PUMPED WASTE
 Scale: NONE



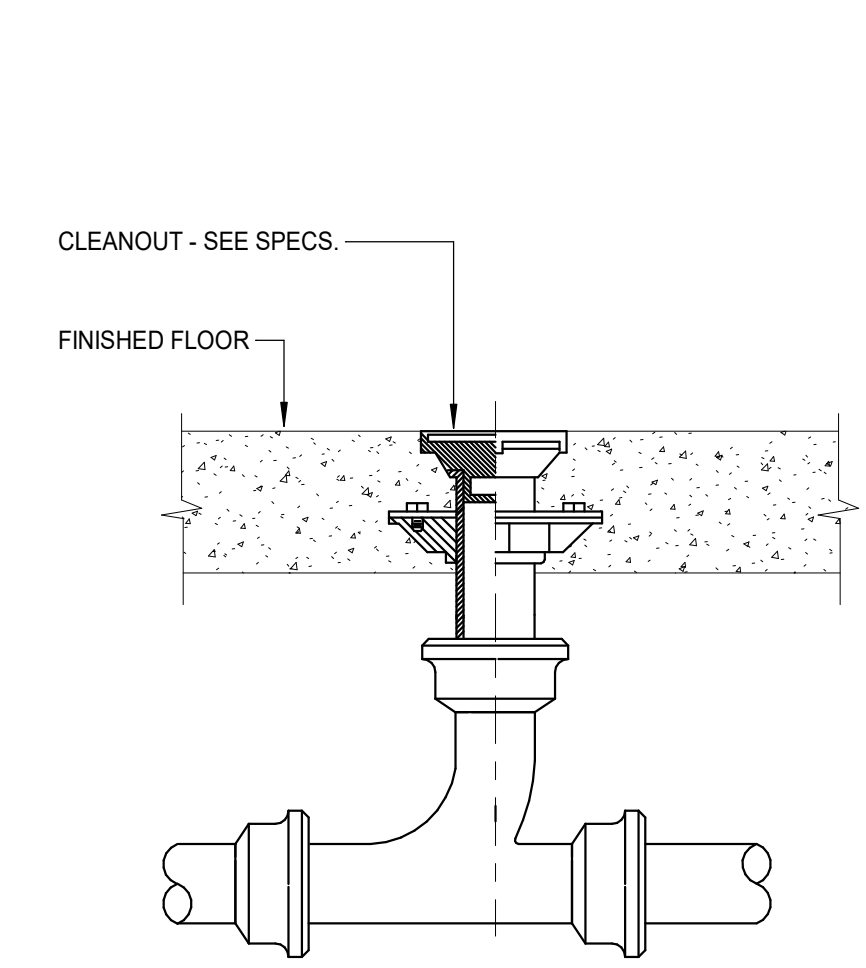
2 OVERFLOW DRAIN DOWNSPOUT NOZZLE
 Scale: NONE



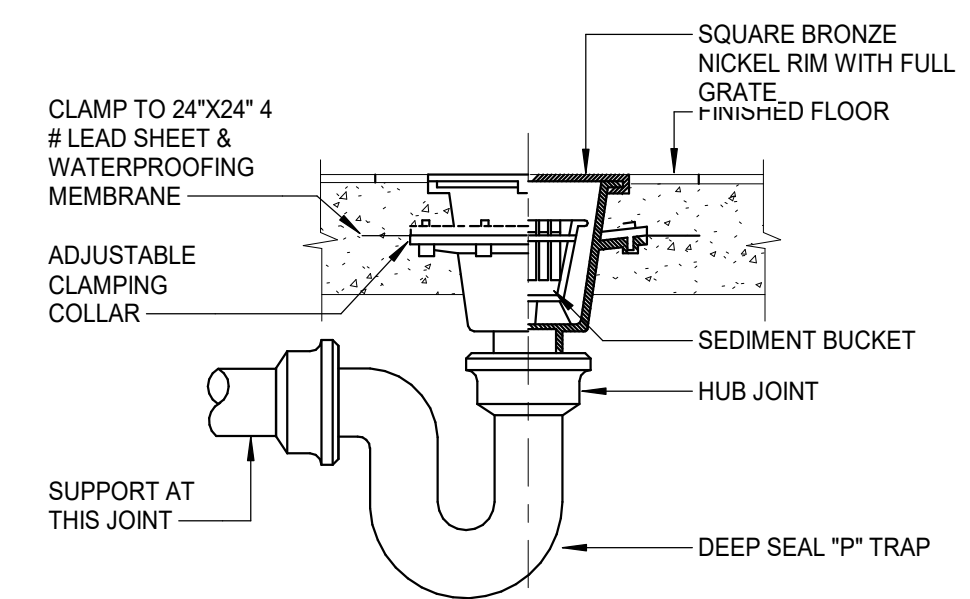
3 STORM DRAIN INSULATION
 Scale: NONE



4 EXTERIOR CLEANOUT
 Scale: NONE

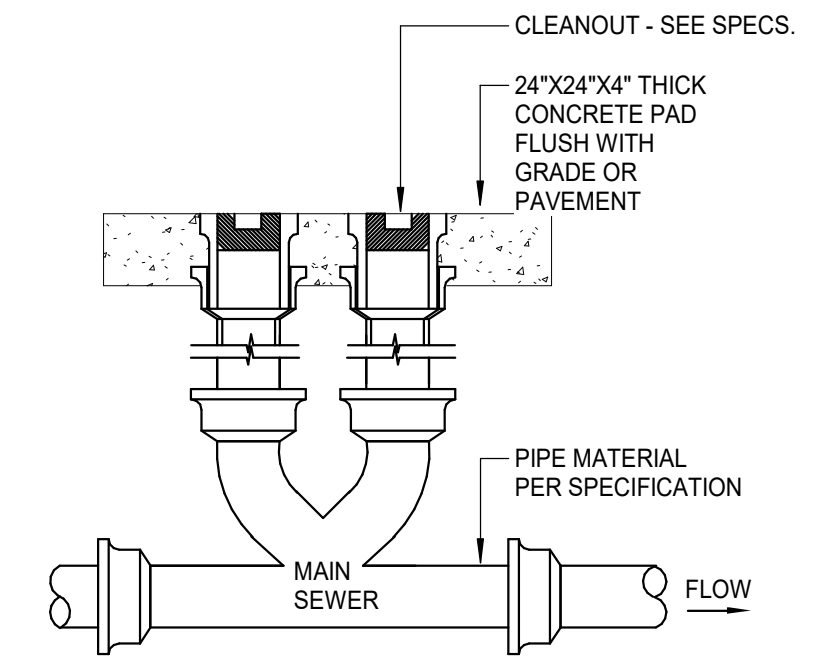


5 FLOOR CLEANOUT
 Scale: NONE

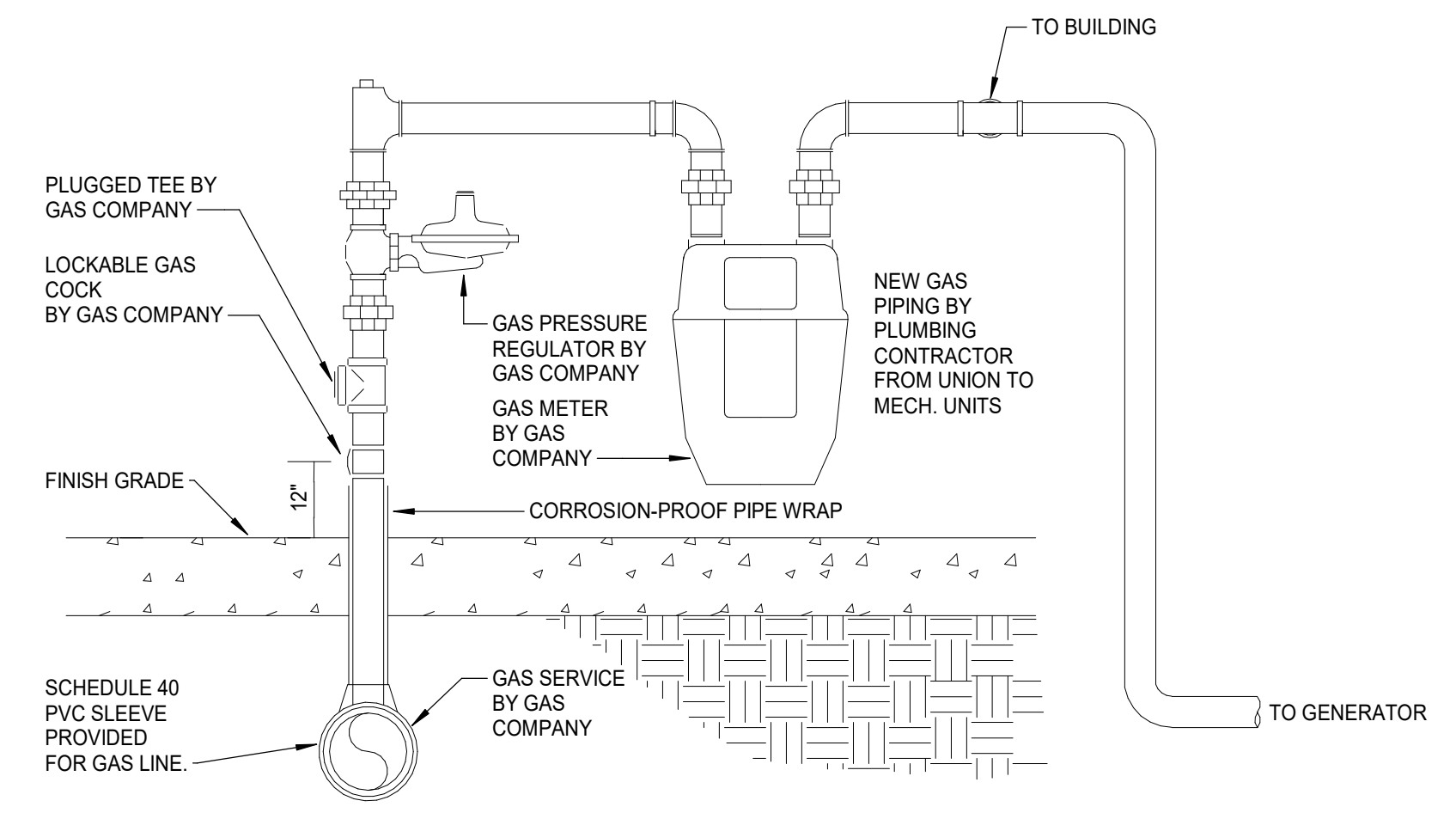


6 FLOOR SINK W/ TRAP SEAL PROTECTION
 Scale: NONE

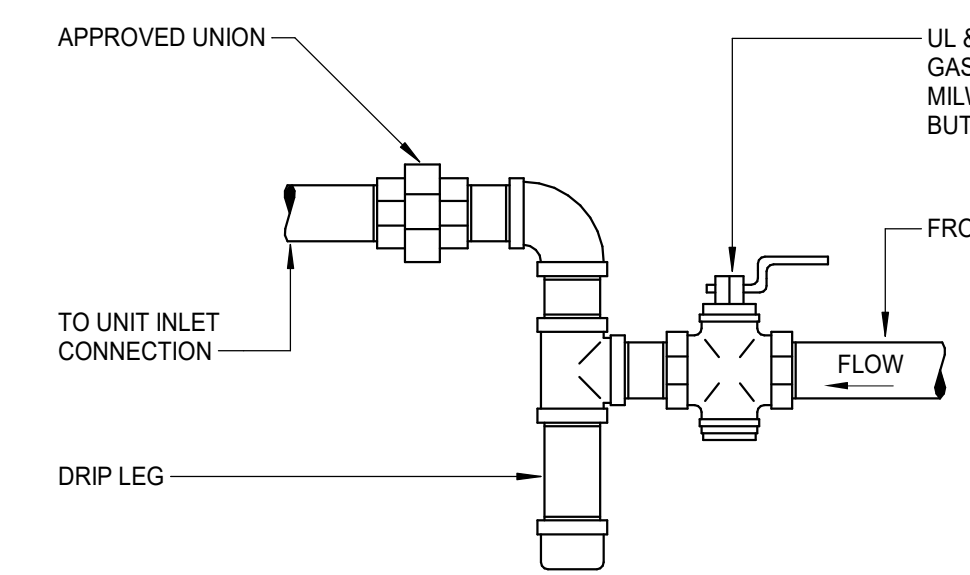
- NOTES:
 1. TRAP GUARD SHALL COMPLY WITH ASSE 1072 REQUIREMENTS.
 2. TRAP GUARD SHALL BE FACTORY FITTED TO MATCH EACH FLOOR SINK BY SIZE, MODEL, AND MANUFACTURER.
 3. CONTACT LOCAL REP OR MANUFACTURER FOR CORRECT MODEL NUMBER.
 4. INSTALLATION OF TRAP GUARD TO BE IN ACCORDANCE WITH MANUFACTURER'S RECOMMENDATIONS.
 5. INSERT TRAP GUARD ONLY AFTER FINAL RODDING OF DRAINS. INSTALL TRAP GUARD WITH CLEAR SILICONE CAULK FOR GAS TIGHT SEAL. FOR DRAIN RODDING AFTER INSTALLATION, INSERT SEWER TAPE THROUGH LIGHTLY GREASED 1-1/2" PVC PIPE TO PROTECT TRAP GUARD.



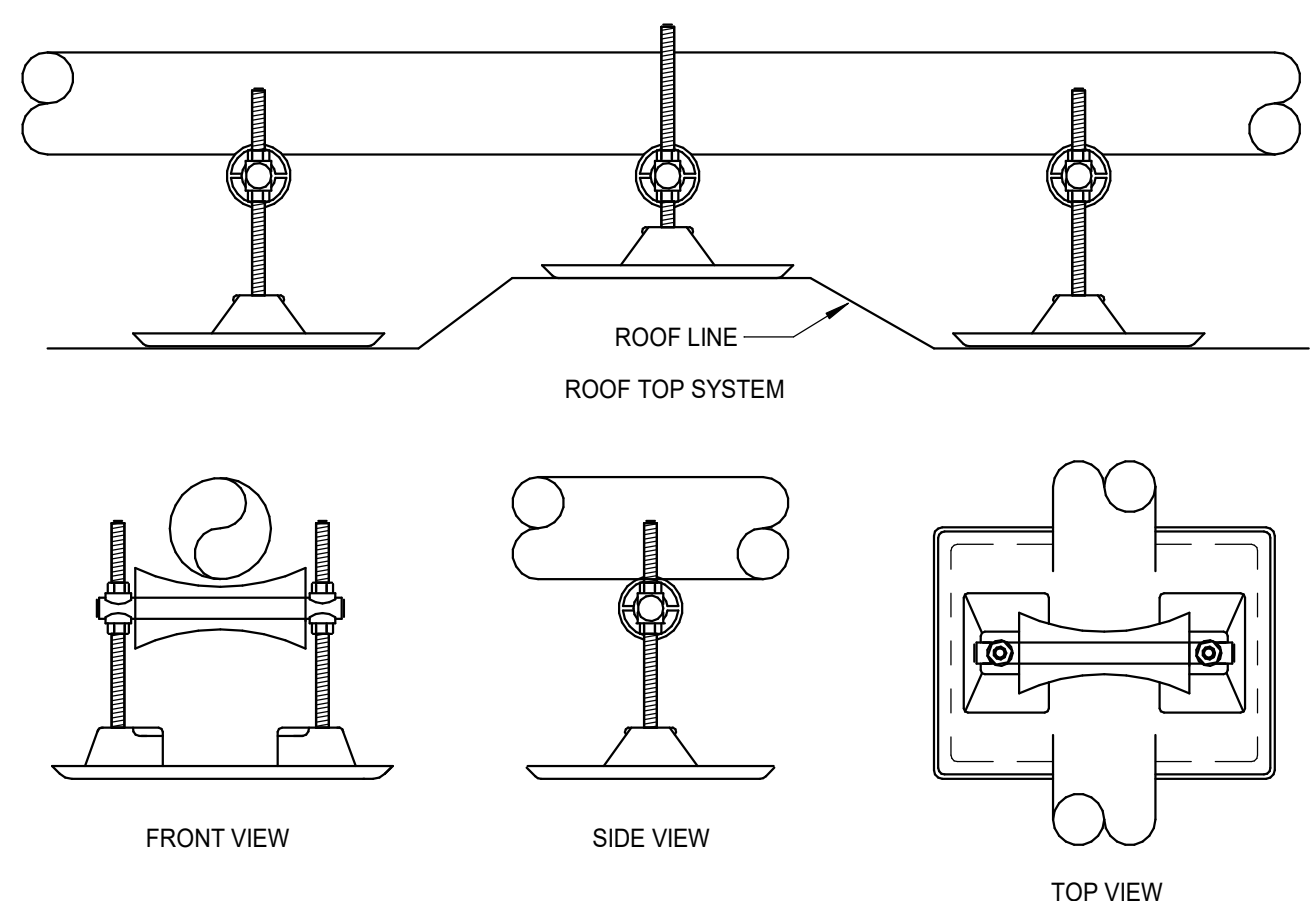
7 TWO-WAY EXTERIOR CLEANOUT
 Scale: NONE



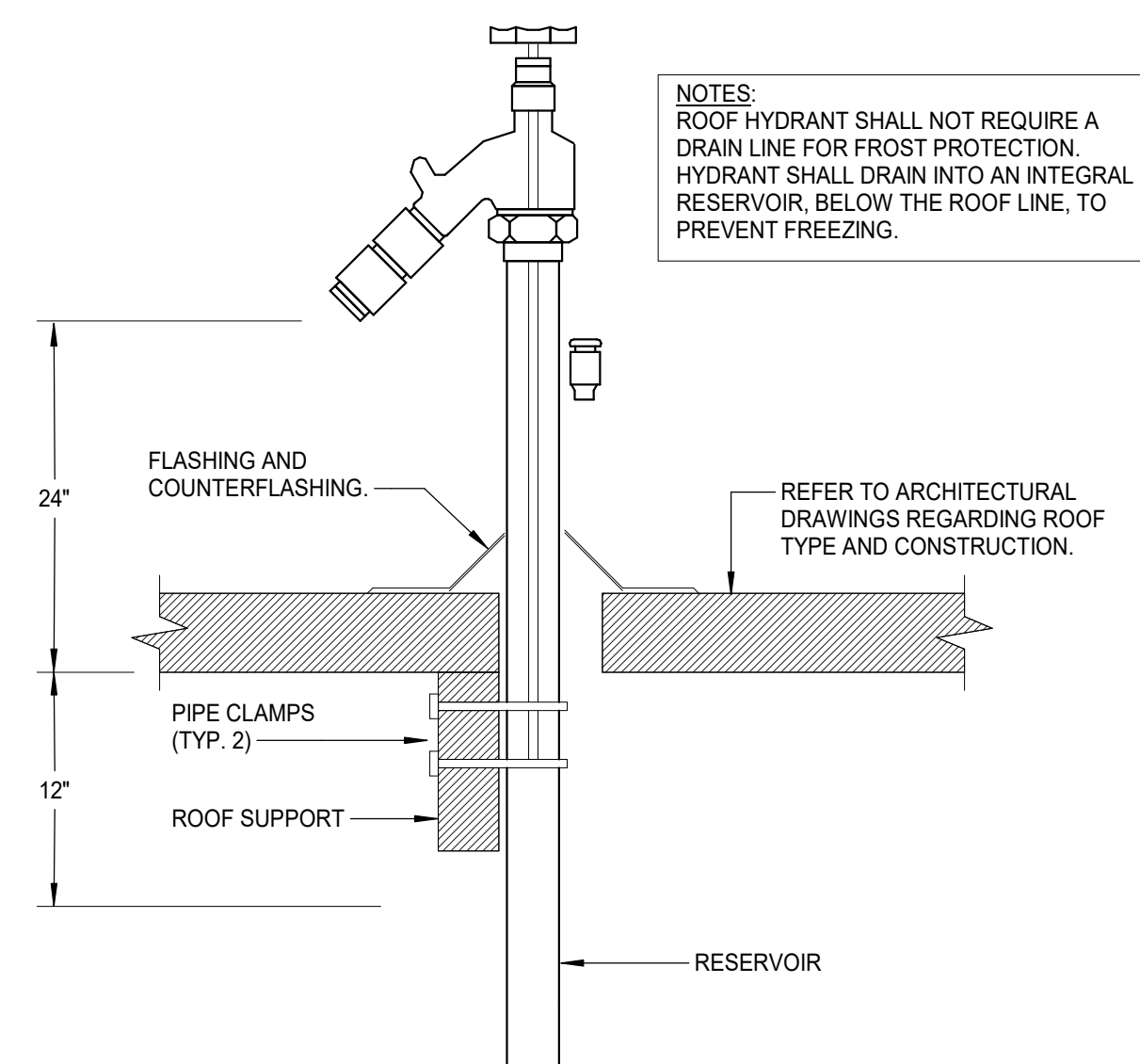
8 NATURAL GAS SERVICE DETAIL
 Scale: NONE



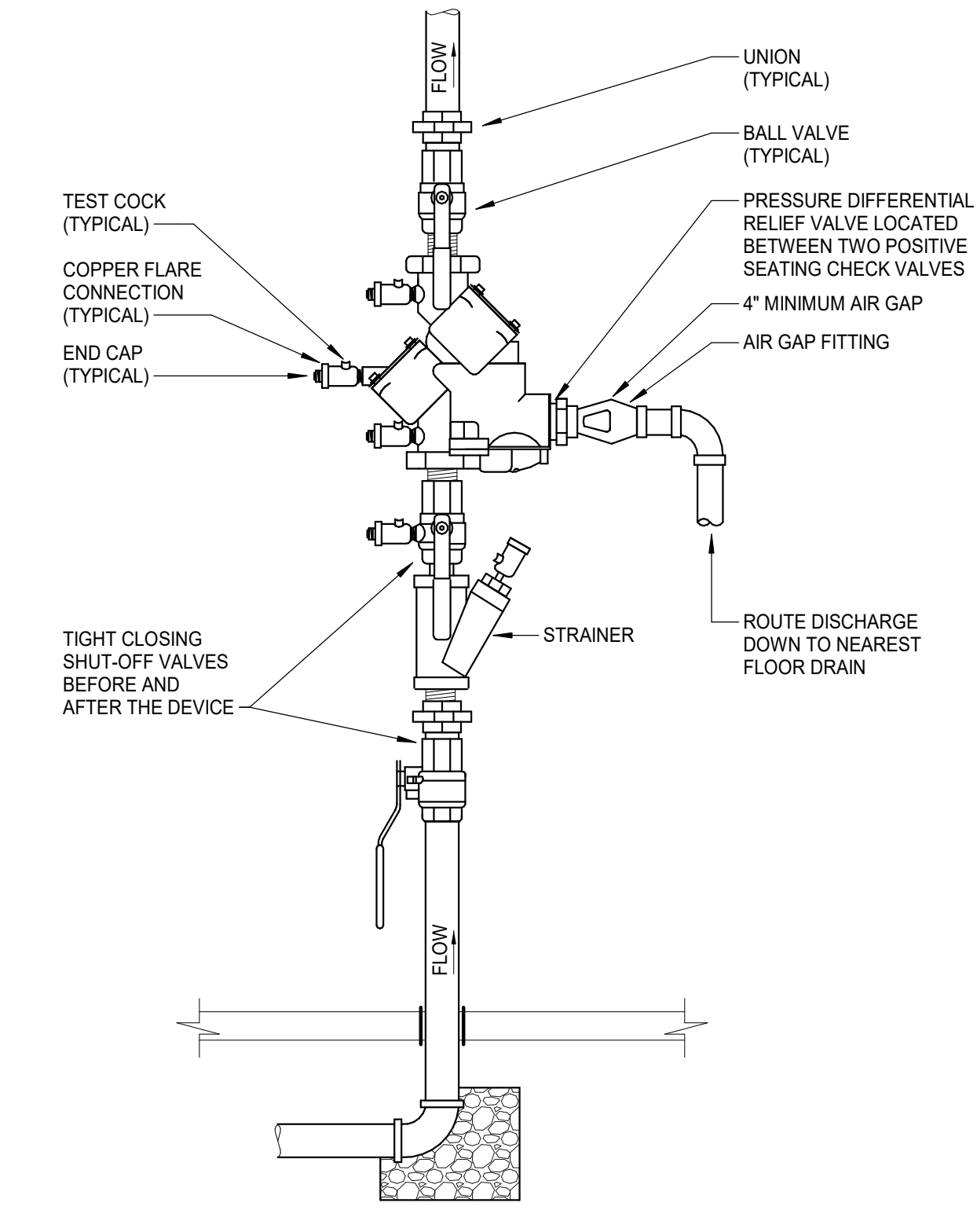
9 NATURAL GAS EQUIPMENT CONNECTION
 Scale: NONE



10 GAS SUPPORT ON ROOF
 Scale: NONE



11 ROOF HYDRANT DETAIL
 Scale: NONE



12 REDUCED PRESSURE ZONE BACKFLOW PREVENTER
 Scale: NONE

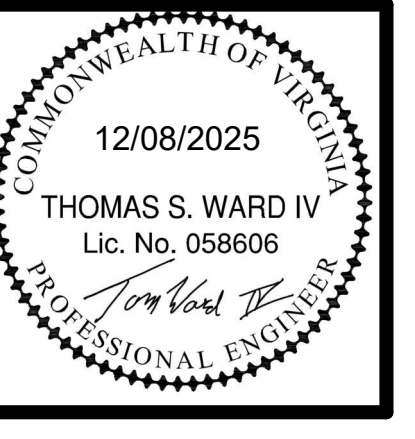
NOTE: MOUNT AT 48"-60" A.F.F. UNLESS NOTED OTHERWISE ON PLANS.

DATE: December 8, 2025

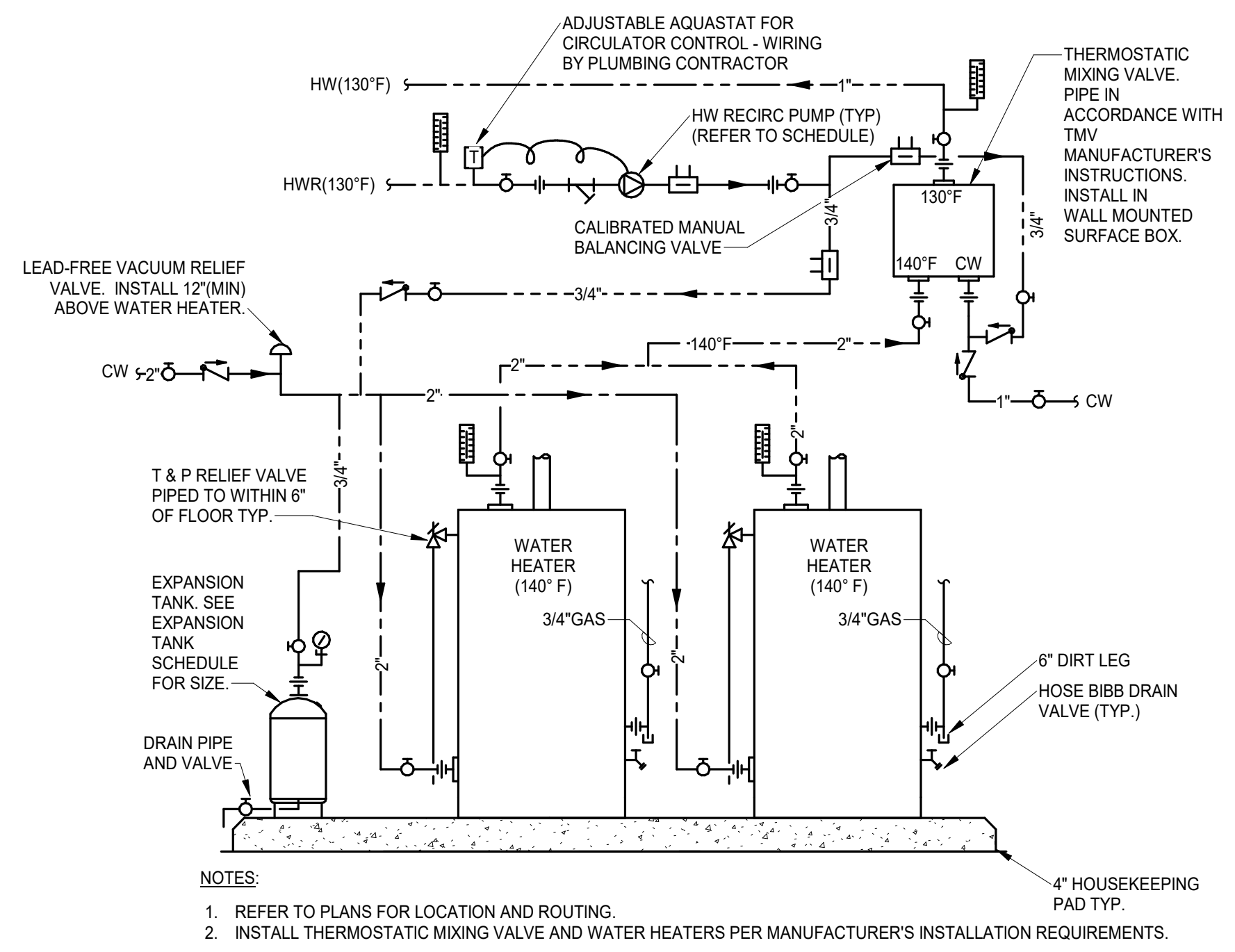
Revisions		
No.	Date	Description

DRAWN BY: JR/SS
 CHECKED BY: JDW

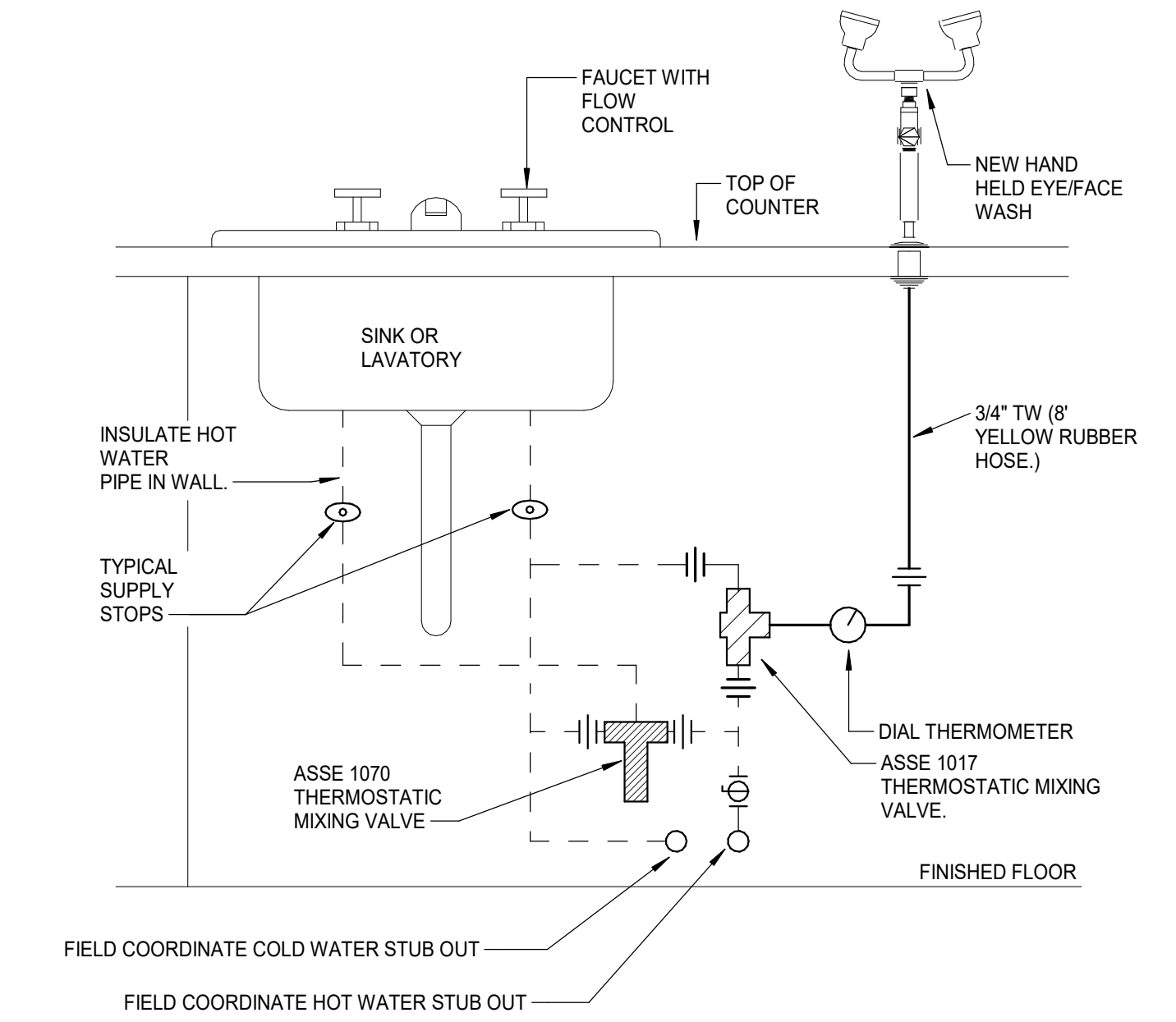
PLUMBING DETAILS



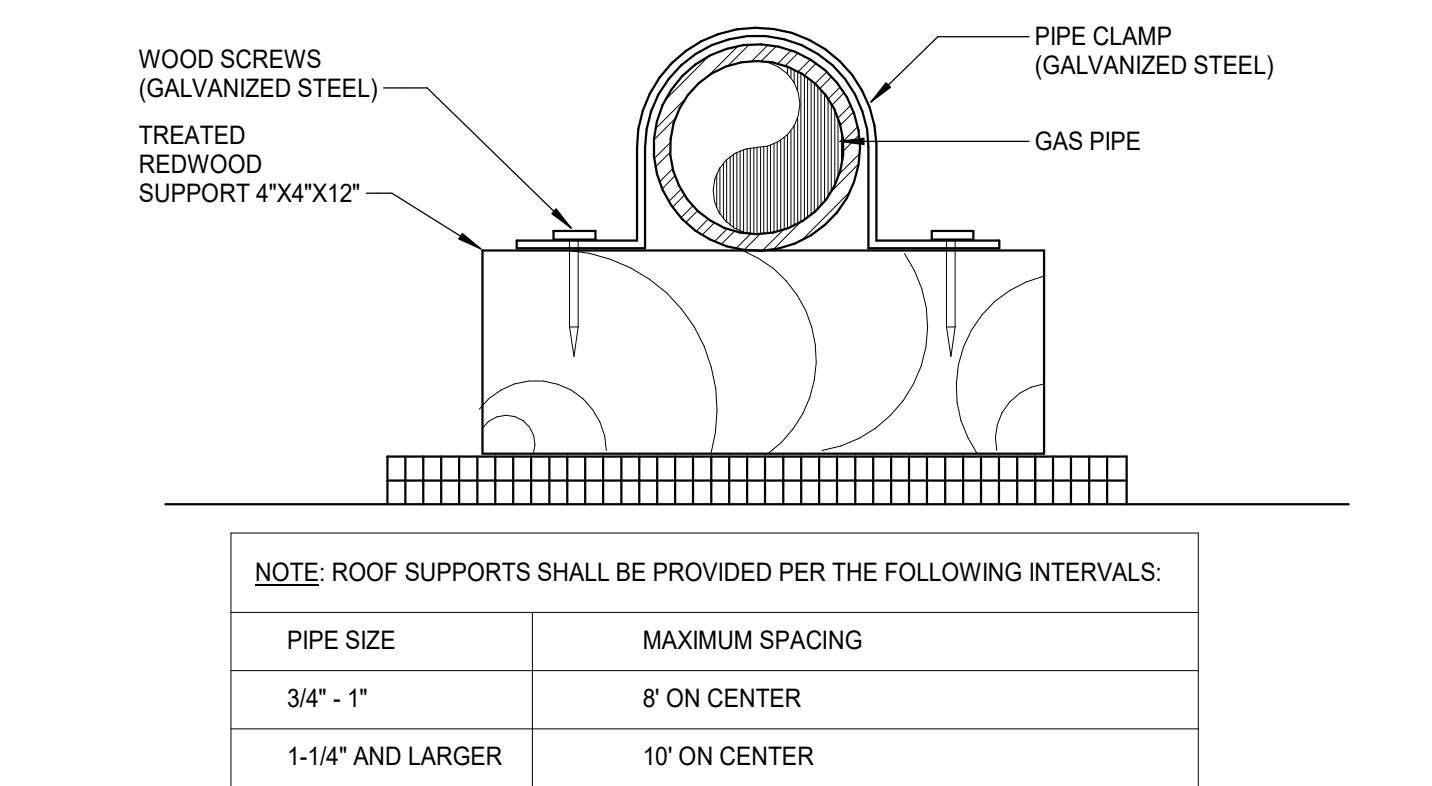
COMMISSION No.
24069
 SHEET
P5-2
© COPYRIGHT 2025 HUGHES ASSOCIATES ARCHITECTS & ENGINEERS A PROFESSIONAL CORPORATION



1 DOMESTIC WATER HEATER DETAIL
 Scale: NONE



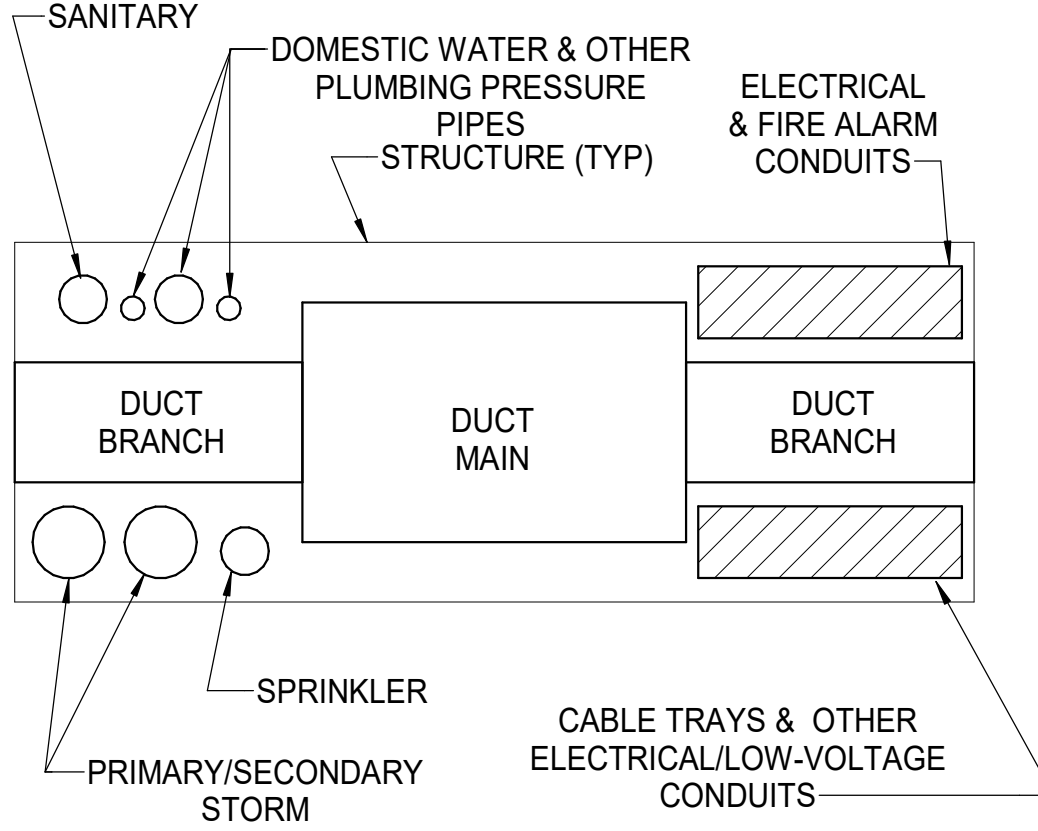
6 THERMOSTATIC MIXING VALVE PIPING AT SINK/LAVATORY
 Scale: NONE



NOTE: ROOF SUPPORTS SHALL BE PROVIDED PER THE FOLLOWING INTERVALS:

PIPE SIZE	MAXIMUM SPACING
3/4" - 1"	8' ON CENTER
1-1/4" AND LARGER	10' ON CENTER

7 NATURAL GAS PIPE SUPPORT ON ROOF
 Scale: NONE

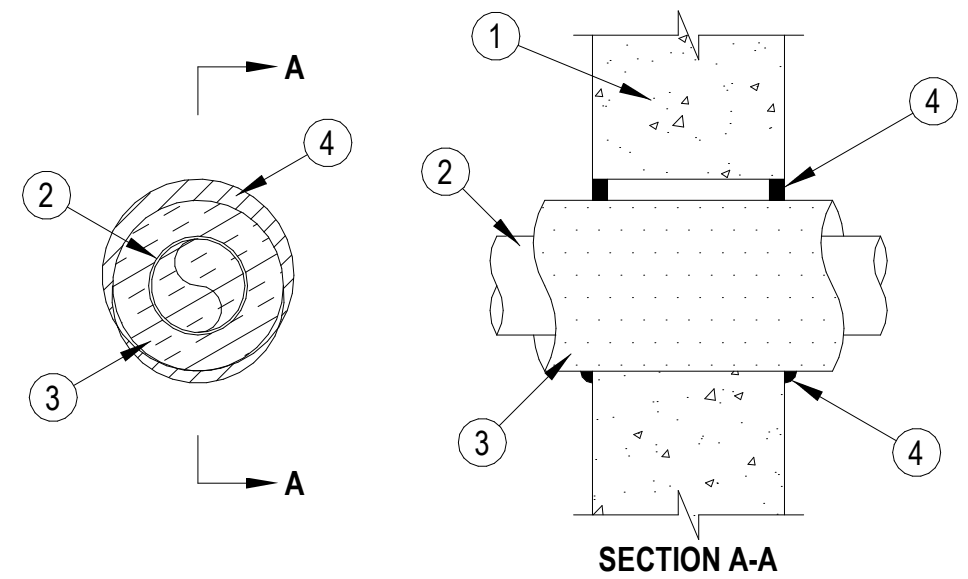


NOTE: AT THE CONTRACTOR'S DISCRETION, SYSTEMS SHOWN IN THIS DETAIL MAY BE REARRANGED TO FACILITATE CONSTRUCTION. SYSTEMS NOT SHOWN SHALL BE COORDINATED IN THE FIELD BETWEEN TRADES. ABOVE CEILING COORDINATION IS THE SOLE RESPONSIBILITY OF THE CONTRACTOR, AND ANY CONFLICTS SHALL BE COORDINATED IN THE FIELD BETWEEN TRADES. FOR EXISTING CONDITIONS, CONTRACTOR SHALL VERIFY AND COORDINATE WITH EXISTING STRUCTURE PRIOR TO FABRICATION OF DUCTWORK.

2 MEP CEILING COORDINATION
 Scale: NONE

HILTI SYSTEM NO. W-J-5134
 Classified by Underwriters Laboratories, Inc. to UL 1479 and CANULC-S115
 (1-HOUR FIRE-RATED WALLS)

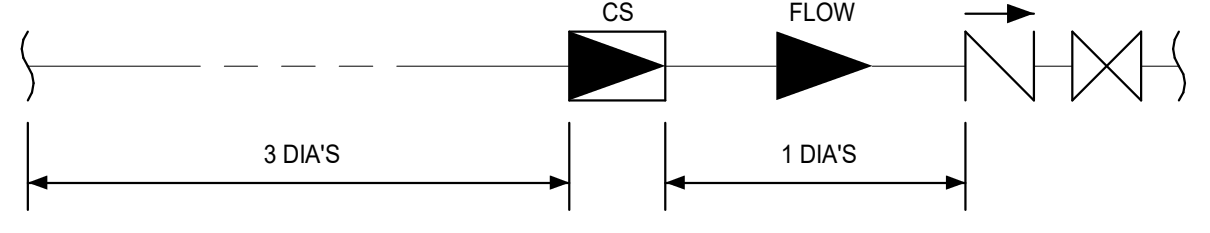
ANSI/UL1479 (ASTM E814)	CANULC S115
F Rating — 2 Hr	F Rating — 2 Hr
T Ratings — 0 and 1 Hr (See Item 3)	FT Ratings — 0 and 1 Hr (See Item 3)
L Rating At Ambient — 4 CFM/sq ft (See Item 4)	FH Rating — 2 Hr
L Rating At 400 F — Less Than 1 CFM/sq ft (See Item 4)	FTH Ratings — 0 and 1 Hr (See Item 3)
	L Rating At Ambient — 4 CFM/sq ft (See Item 4)
	L Rating At 400 F — Less Than 1 CFM/sq ft (See Item 4)



- Wall Assembly — Min 6 in. (152 mm) thick reinforced lightweight or normal weight (100-150 pcf or 1600-2400 kg/m³) concrete. Wall may also be constructed of any UL Classified Concrete Blocks*. Max diam of opening is 8 in. (203 mm). See Concrete Blocks (CAZT) category in the Fire Resistance Directory for names of manufacturers.
- Through Penetrant — One metallic pipe or tube to be installed eccentrically or concentrically within the firestop system. Pipe or tube to be rigidly supported on both sides of the wall assembly. The following types and sizes of metallic pipes and tubes may be used:
 - Steel Pipe — Nom 4 in. (102 mm) diam (or smaller) Schedule 5 (or heavier) steel pipe.
 - Iron Pipe — Nom 4 in. (102 mm) diam (or smaller) cast or ductile iron pipe.
 - Copper Pipe — Nom 4 in. (102 mm) diam (or smaller) Regular (or heavier) copper pipe.
 - Copper Tube — Nom 4 in. (102 mm) diam (or smaller) Type L (or heavier) copper tube.
- Pipe Covering* — Min 1 in. (25 mm) to max 1-1/2 in. (38 mm) thick hollow cylindrical heavy density (3.5 pcf or 56 kg/m³) glass fiber units jacketed on the outside with an all service jacket. Longitudinal joints sealed with metal fasteners or factory-applied self-sealing lap tape. Transverse joints secured with metal fasteners or with built tape supplied with the product. The annular space between the insulated pipe and the periphery of the opening shall be min 0 in. (point contact) to max 7/8 in. (22 mm). When pipe covering thickness is less than 1-1/2 in. (38 mm), the T, FT and FTH Ratings are 0 Hr. See Pipe Equipment Covering — Materials — (BRGU) Category in the Building Materials Directory for names of manufacturers. Any pipe covering material meeting the above specifications and bearing the UL Classification Marking with a Flame Spread Index of 25 or less and a Smoke Developed Index of 50 or less may be used.
- Fill, Void or Cavity Material* — Sealant — Min 5/8 in. (16 mm) thickness of fill material applied within annulus, flush with both surfaces of wall assembly. At point contact location, min 1/2 in. (13 mm) diam bead of fill material applied at insulated metallic pipe/wall interface on both surfaces of wall. L Ratings apply only when FS-One Sealant is used. HILTI CONSTRUCTION CHEMICALS, DIV OF HILTI INC — FS-One Sealant, FS-One MAX Intumescent Sealant, CP 606 Sealant, CFS-S SIL GG or CP 601S Sealant

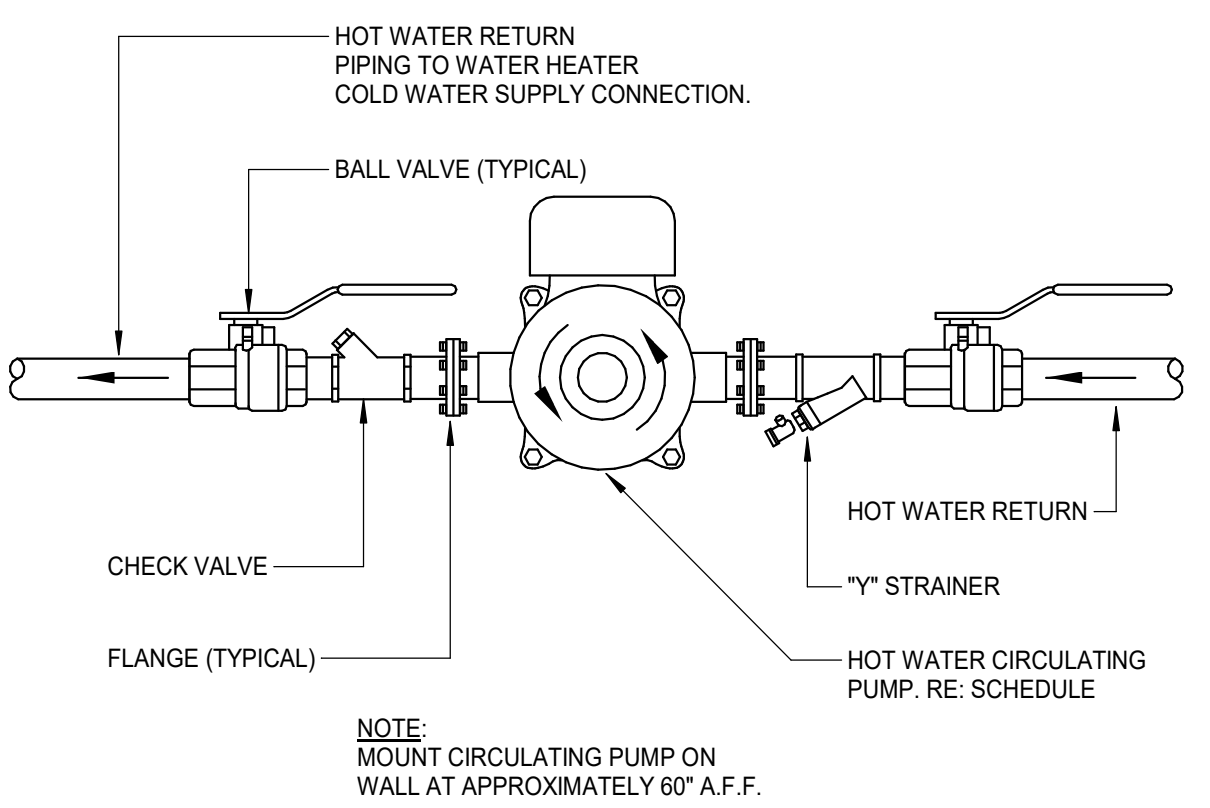
* Indicates such products shall bear the UL or cUL Certification Mark for jurisdictions employing the UL or cUL Certification (such as Canada), respectively.
 NOTE: DETAIL FOR REFERENCE ONLY. CONTRACTOR SHALL VERIFY PIPING AND INSULATION MATERIALS AND ACTUAL WALL ASSEMBLY. FIRE STOPPING MATERIALS SHALL BE SELECTED AND INSTALLED PER CODE AND EMPLOY UL 1479/ASTM E814.

8 INTERIOR WALL PENETRATION FIRE-STOPPING DETAIL
 Scale: NONE



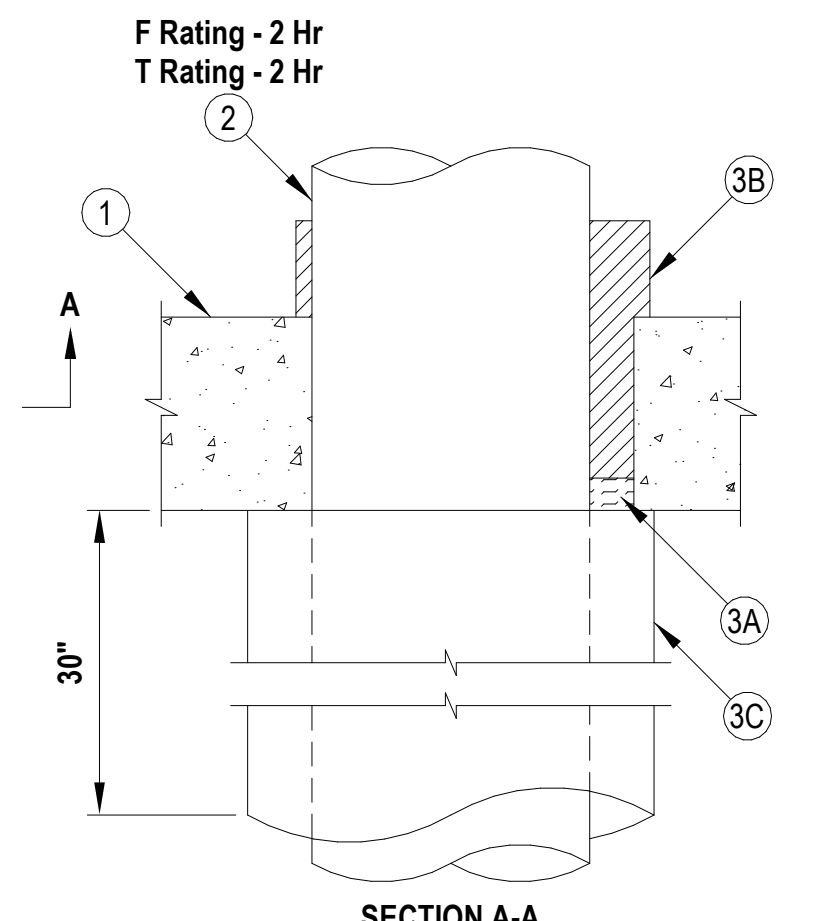
- NOTE:
- THERE SHALL BE UNINTERRUPTED STRAIGHT PIPE 1 DIAMETER OF PIPE DOWNSTREAM AND 3 DIAMETERS OF PIPE UPSTREAM FROM EACH CIRCUIT SETTER. BALANCE VALVE SHALL BE ADJUSTED TO PROVIDE G.P.M. INDICATED AT EACH C.S.
 - THE ENTIRE CIRCUIT SETTER SHALL BE INSULATED WITH REMOVABLE SECTIONS OF PIPE INSULATION SIZED TO OVERLAP THE CONNECTED PIPE INSULATION. INSULATION SHALL OVERLAP 3 INCHES.

3 HOT WATER CIRCUIT SETTER
 Scale: NONE



4 HOT WATER CIRCULATING PUMP PIPING
 Scale: NONE

HILTI SYSTEM NO. C-BJ-1047
 Classified by Underwriters Laboratories, Inc. to UL 1479 and CANULC-S115
 (1-HOUR FIRE-RATED FLOOR ASSEMBLY)



- Floor or Wall Assembly — Min 6 in. thick reinforced lightweight or normal weight (100-150 pcf) concrete. Wall may also be constructed of any solid or filled UL Classified Concrete Blocks*. Max diameter of opening is 10 in. See Concrete Blocks (CAZT) category in the Fire Resistance Directory for names of manufacturers.
- Through Penetrant — One metallic pipe to be installed either concentrically or eccentrically within the firestop system. The annular space shall of metallic pipes may be used:
 - Steel Pipe — Nom 8 in. diam (or smaller) Schedule 40 (or heavier) steel pipe.
 - Iron Pipe — Nom 8 in. diam (or smaller) cast or ductile iron pipe.
- Firestop System — The firestop system shall consist of the following:
 - Packing Material — Min 1 in. thickness of 4 pcf mineral wool batt insulation tightly packed into the opening as a permanent form. Packing material to be recessed from top surface of floor as required to accommodate the required thickness of fill material. Packing material not required in walls.
 - Fill, Void or Cavity Materials* — Foam — Min 5 in. thickness of fill material applied within the annulus, flush with top surface of floor or min 6 in thickness of fill material applied within the annulus, flush with both surfaces of wall. Additional fill material shall extend above the top surface of the floor in accordance with the following table and shall overlap the concrete 1/2 in. around the perimeter of the opening. HILTI CONSTRUCTION CHEMICALS, DIV OF HILTI INC — CP620 Fire Foam

Concrete Thickness - In.	Foam Extension Above Surface - In.
6	4
7	3
8	2
9	1
10	None

- Pipe Covering Materials* — Nom 2 in. thick unfaced mineral fiber pipe insulation sized to the outside diam of pipe or tube. Pipe insulation shall extend 30 in. along length of pipe, flush with lower surfaces of floor or both surfaces of wall. Pipe insulation secured with nom 16 AWG steel wire spaced max 6 in. OC. IIG MINWOOL L L C — High Temperature Pipe Insulation 1200, High Temperature Pipe Insulation BWT or High Temperature Pipe Insulation Thermaloc.

* Bearing the UL Classification Mark
 NOTE: DETAIL FOR REFERENCE ONLY. CONTRACTOR SHALL VERIFY PIPING AND INSULATION MATERIALS AND ACTUAL WALL ASSEMBLY. FIRE STOPPING MATERIALS SHALL BE SELECTED AND INSTALLED PER CODE AND EMPLOY UL 1479/ASTM E814.

9 INTERIOR FLOOR PENETRATION FIRE-STOPPING DETAIL
 Scale: NONE

Revisions table with columns: No., Date, Description

PLUMBING FIXTURE CONNECTION SCHEDULE

Main plumbing fixture connection schedule table with columns: MARK, DESCRIPTION, BASIS OF DESIGN, MANUFACTURER, MODEL NO., CONNECTION SIZE, NOTES

GENERAL NOTES:

PROVIDE MOLDED CLOSED CELL ANTI-MICROBIAL VINYL INSULATION KITS AT ALL LAVATORIES AND SINKS REQUIRED TO BE ACCESSIBLE (MCGUIRE OR TRUEBRO). ALL SUCH FIXTURES AND FINAL INSTALLATIONS SHALL COMPLY WITH 2021 VIRGINIA ACCESSIBILITY CODE (ANSI A117.1).

ADD ALTERNATE NO. 1: MIDMARK CASEWORK

WHERE FIXTURES HAVE BEEN DESIGNATED WITH "NOTE 1" ABOVE, THE FOLLOWING CONDITIONS SHALL APPLY WITH ACCEPTANCE OF ALTERNATE NO. 1:

- 1. PLUMBING FIXTURE (BOWL, FAUCET, AND WHERE INDICATED, EYEWASH) SHALL BE PROVIDED BY MIDMARK. CONTRACTOR SHALL PROVIDE HOT AND COLD WATER SUPPLY, ANGLE STOPS, P-TRAP, ESCUTCHEONS, AND WHERE INDICATED, THERMOSTATIC MIXING VALVES AND SOLIDS INTERCEPTOR.

THERMOSTATIC MIXING VALVE SCHEDULE

Thermostatic mixing valve schedule table with columns: MARK, BASIS OF DESIGN, INCOMING WATER TEMP, TEMP IN, TEMP OUT, MIN FLOW, DESIGN FLOW, PRESSURE DIFFERENTIAL

WATER HAMMER ARRESTOR SCHEDULE

Water hammer arrestor schedule table with columns: P.D.I. TAG, FIXTURE UNITS, CONNECTION (INCHES), CERTIFICATION

DOMESTIC BOOSTER PUMP SCHEDULE

Domestic booster pump schedule table with columns: ITEM, DESCRIPTION, TYPE, GPM, SUCTION PRESSURE, DISCHARGE PRESSURE, H.P. MIN, VOLT/ PHASE, MAX. RPM, MANUFACTURER AND MODEL

PUMP NOTES:

- 1. PROVIDE VFD ON EACH BOOSTER PUMP. DRIVES SHALL BE CONTAINED WITHIN A SINGLE ELECTRICAL ENCLOSURE (MIN. NEMA 3R UNLESS NOTED OTHERWISE) PANEL SHALL HAVE A MAIN DISCONNECT AND SINGLE POINT CONNECTION.

GAS WATER HEATER SCHEDULE

Gas water heater schedule table with columns: MARK, BASIS OF DESIGN, STORAGE CAPACITY, BTU/HR INPUT, WH GALS. PER HR. RECOVERY RATE, STORED WATER TEMP, INCOMING WATER TEMP, OUTGOING WATER TEMP, ELECTRICAL CHAR.

- 1. PROVIDE VENT KIT PER MANUFACTURER'S INSTALLATION INSTRUCTIONS. REFER TO DRAWINGS FOR FLUE ROUTING AND LOCATIONS THROUGH ROOF. CONTRACTOR SHALL COORDINATE FLUE LOCATION THROUGH ROOF AND PIPE ROUTING IN CEILING.

CIRCULATION PUMP SCHEDULE

Circulation pump schedule table with columns: MARK, BASIS OF DESIGN, DESCRIPTION, TYPE, FLOW (GPM), HEAD (FT), POWER (HP), ELECTRICAL CHAR., MAX RPM

EXPANSION TANK SCHEDULE

Expansion tank schedule table with columns: MARK, BASIS OF DESIGN, DESCRIPTION, MAX WORK PRESSURE (PSI), TANK VOLUME GALLONS, MAX. ACCEPT. GALLONS, DIAMETER (INCHES)

- 1. PROVIDE ASME POTABLE WATER EXPANSION TANK ON THE COLD WATER SUPPLY LINE, DOWNSTREAM OF THE CHECK VALVE.

PIPE ACCESSORY SCHEDULE

Pipe accessory schedule table with columns: MARK, DESCRIPTION, BASIS OF DESIGN, CAPACITY (GPM), MAX PRESSURE DROP (PSIG), SIZE (INCHES)

SUMP PUMP SCHEDULE

Sump pump schedule table with columns: MARK, BASIS OF DESIGN, DESCRIPTION, HP, FT/HD, GPM, ELECTRICAL CHAR.

GENERAL NOTES:

PROVIDE ALARM AND REQUIRED ACCESSORIES FOR COMPLETE INSTALLATION. COORDINATE INSTALLATION WITH ELECTRICAL CONTRACTOR.

PLUMBING FIXTURE SPECIFICATIONS

Table with columns: TYPE, FIXTURE DESCRIPTION. Rows include CLEANOUTS (ECO, FCO), DRAINAGE FIXTURE (FD-1, FD-2), ELECTRIC WATER COOLER (EWC), HYDRANTS (RH, WH), MOP SINK (MS), ROOF DRAINAGE FIXTURE (DN, OFD), SHOWER (SH), SINK/LAVATORIES (L, SK).

PLUMBING FIXTURE SPECIFICATIONS

Table with columns: TYPE, FIXTURE DESCRIPTION. Rows include SINK, DROP-IN (SK-7, SK-8, SK-9, SK-10, SK-11A, SK-12), SINK, SUPPLIED BY HENRY SCHEIN DENTAL AND INSTALLED BY PLUMBING CONTRACTOR (SK-5, SK-6), ACCESSIBLE SINK (SK-6A).

PLUMBING FIXTURE SPECIFICATIONS

Table with columns: TYPE, FIXTURE DESCRIPTION. Rows include SINK, DROP-IN (SK-7, SK-8, SK-9, SK-10, SK-11A, SK-12), SINK, SUPPLIED BY HENRY SCHEIN DENTAL AND INSTALLED BY PLUMBING CONTRACTOR (SK-5, SK-6), ACCESSIBLE SINK (SK-6A).

PLUMBING FIXTURE SPECIFICATIONS

Table with columns: TYPE, FIXTURE DESCRIPTION. Rows include SINK, DROP-IN (SK-13, SK-14), UTILITY SINK (US-1), URINAL (U), VALVE BOXES (UB-1, UB-2, UB-3), WATER CLOSET (WC), SEAT (WC-1).

Salas O'Brien logo and contact information: 800-451-4663, 484-952-9651, 119 Norfolk Avenue, Suite 310, Roanoke, Virginia 24011

Revisions table with columns: No., Date, Description. Includes revision 1 dated December 8, 2025.

HUGHES ASSOCIATES ARCHITECTS & ENGINEERS logo and address: 3800 ELECTRIC ROAD, SUITE 300 | ROANOKE, VIRGINIA 24018

New Facility For Community Health Center of the New River Valley. 145 Akers Farm Road, Town of Christiansburg, Virginia

DRAWN BY: JR/SS, CHECKED BY: JDW

PLUMBING FIXTURE SPECIFICATIONS title block

Professional Engineer seal for Thomas S. Ward IV, Lic. No. 058606, dated 12/08/2025

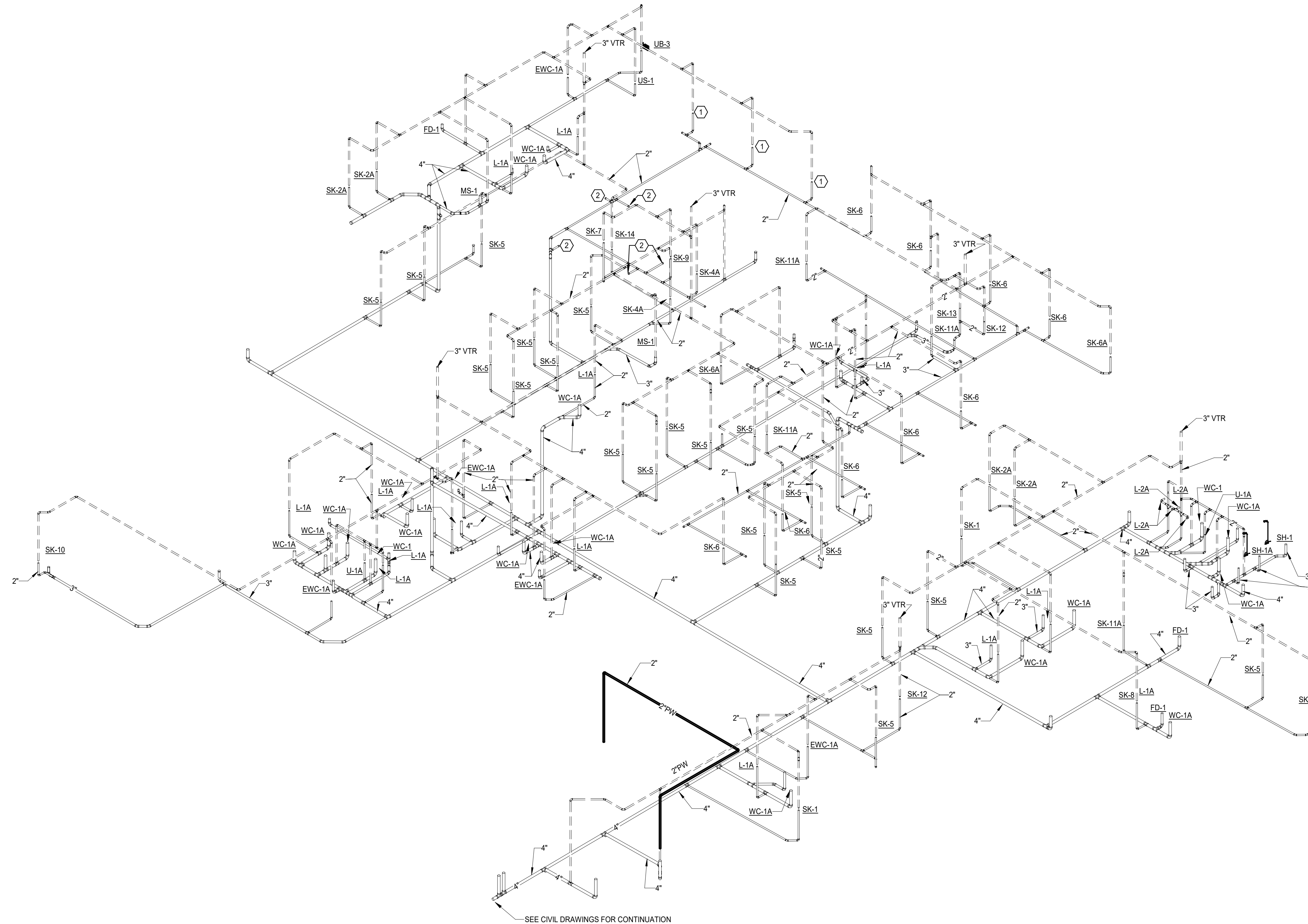
COMMISSION NO. 24069 SHEET P7-1

DATE: December 8, 2025

Revisions		
No.	Date	Description

SHEET KEYNOTES: ○

1. CAP 2" SAN IN WALL FOR CONNECTION TO FUTURE DENTAL SINK.
2. CAP 2" SAN BELOW FLOOR FOR CONNECTION TO FUTURE OPERATORY.



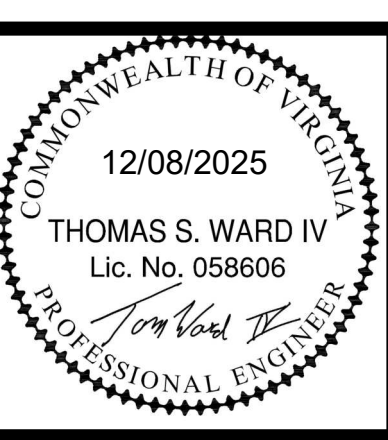
1 PLUMBING RISER - WASTE
 Scale: N.T.S.

SEE CIVIL DRAWINGS FOR CONTINUATION

**New Facility For
 Community Health Center
 of the New River Valley**
 145 Akers Farm Road
 Town of Christiansburg, Virginia

DRAWN BY: JR/SS
 CHECKED BY: JDW

**PLUMBING
 RISER - WASTE**

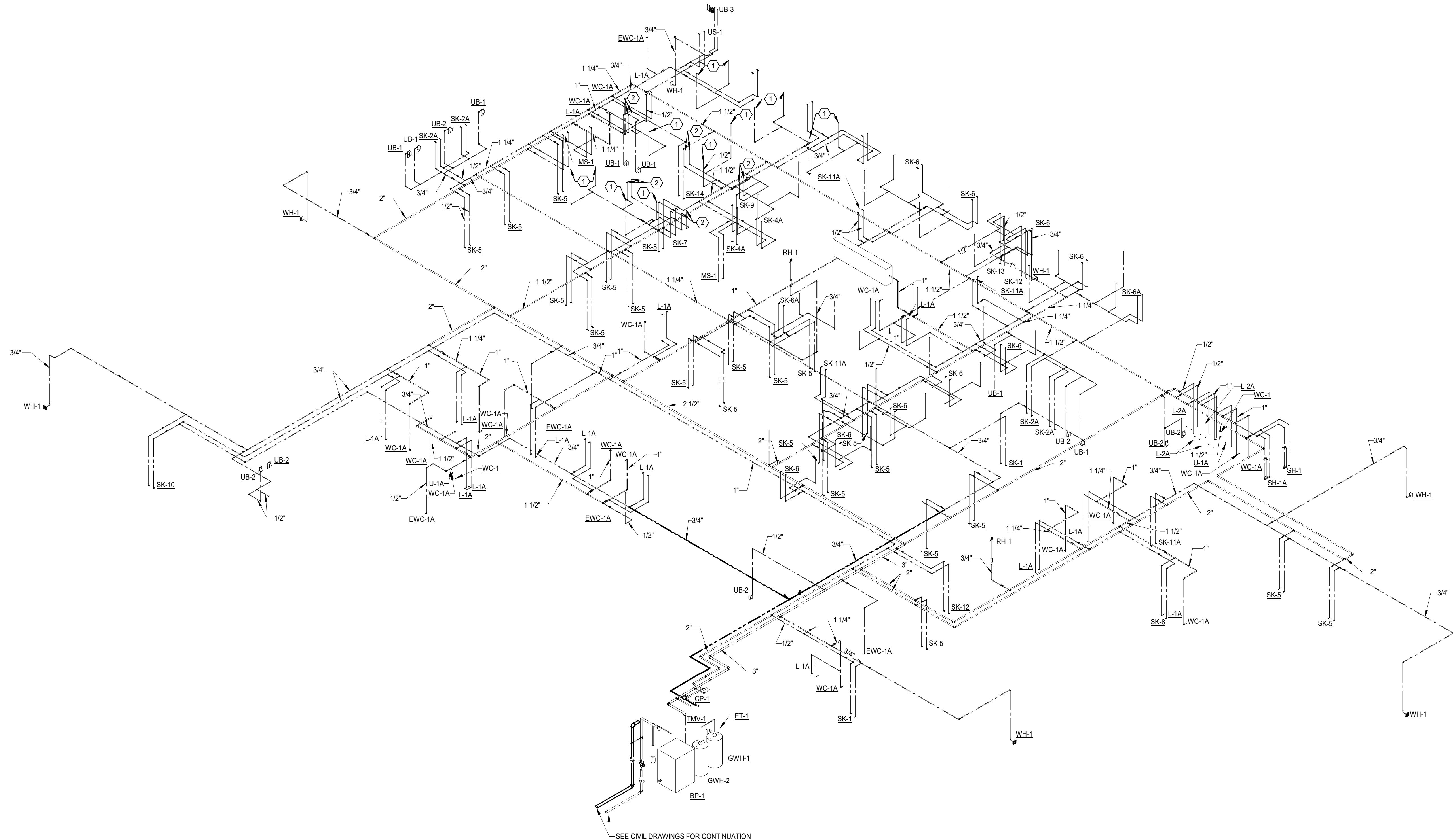


COMMISSION No.
24069
 SHEET
P9-1
© COPYRIGHT 2025
 HUGHES ASSOCIATES ARCHITECTS & ENGINEERS
 A PROFESSIONAL CORPORATION

Revisions		
No.	Date	Description

SHEET KEYNOTES ○

1. CAP 1/2" CW BELOW FLOOR FOR CONNECTION TO FUTURE OPERATORY FIXTURES.
2. 1/2" H&W CAPPED ABOVE CEILING FOR FUTURE.



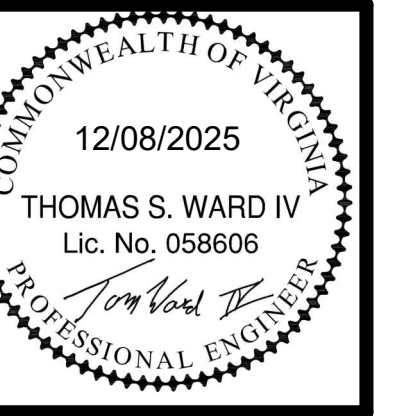
SEE CIVIL DRAWINGS FOR CONTINUATION

1 PLUMBING RISER - SUPPLY
Scale: N.T.S.

New Facility For
**Community Health Center
of the New River Valley**
Town of Christiansburg, Virginia
145 Akers Farm Road

DRAWN BY: JR/SS
CHECKED BY: JDW

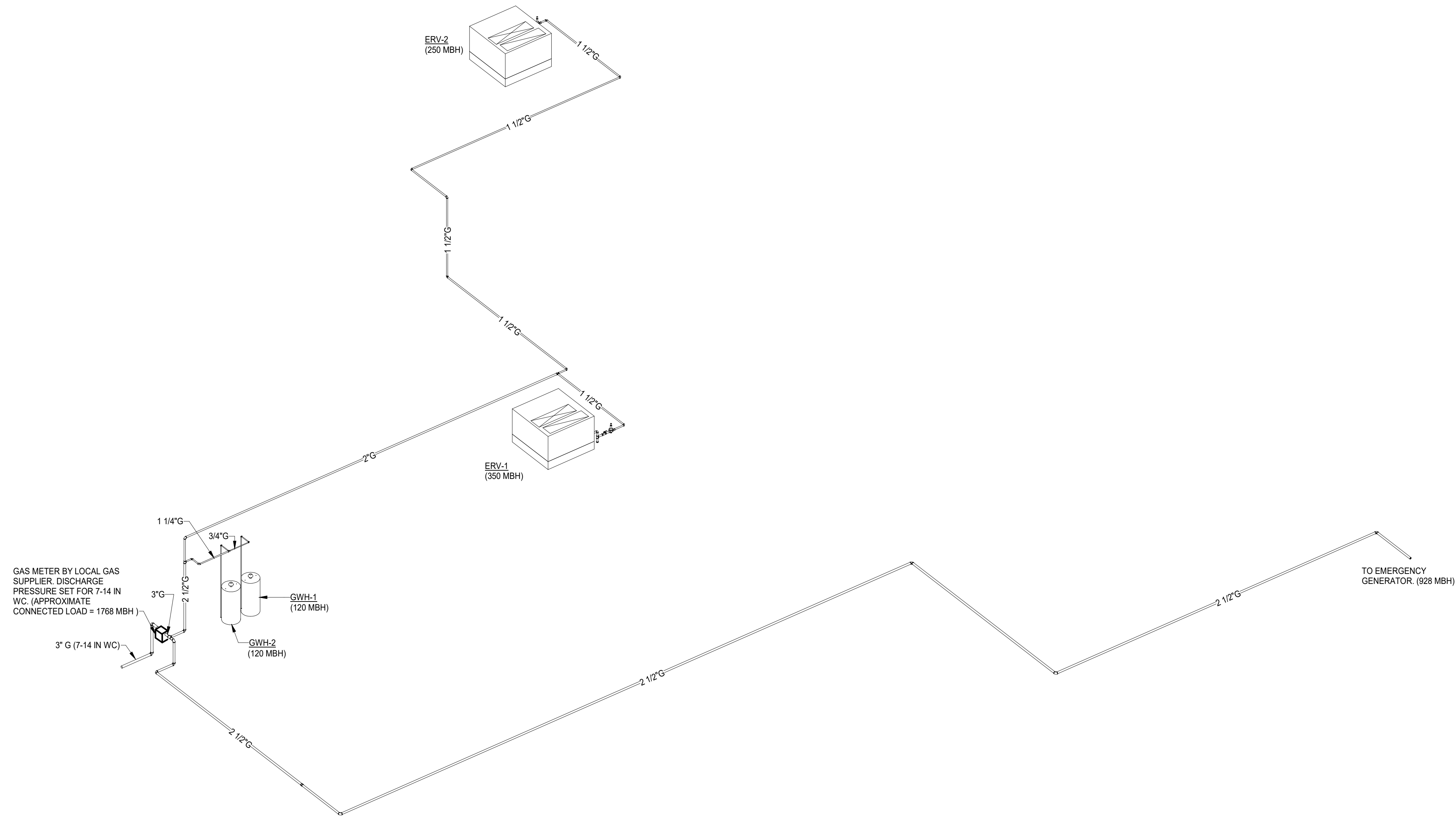
**PLUMBING
RISER - SUPPLY**



COMMISSION No.
24069
SHEET
P9-2

DATE: December 8, 2025

Revisions		
No.	Date	Description

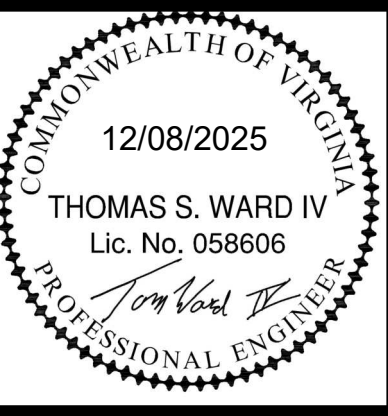


1 PLUMBING RISER - NATURAL GAS
 Scale: N.T.S.

New Facility For
Community Health Center
 of the New River Valley
 145 Akers Farm Road
 Town of Christiansburg, Virginia

DRAWN BY: JR/SS
 CHECKED BY: JDW

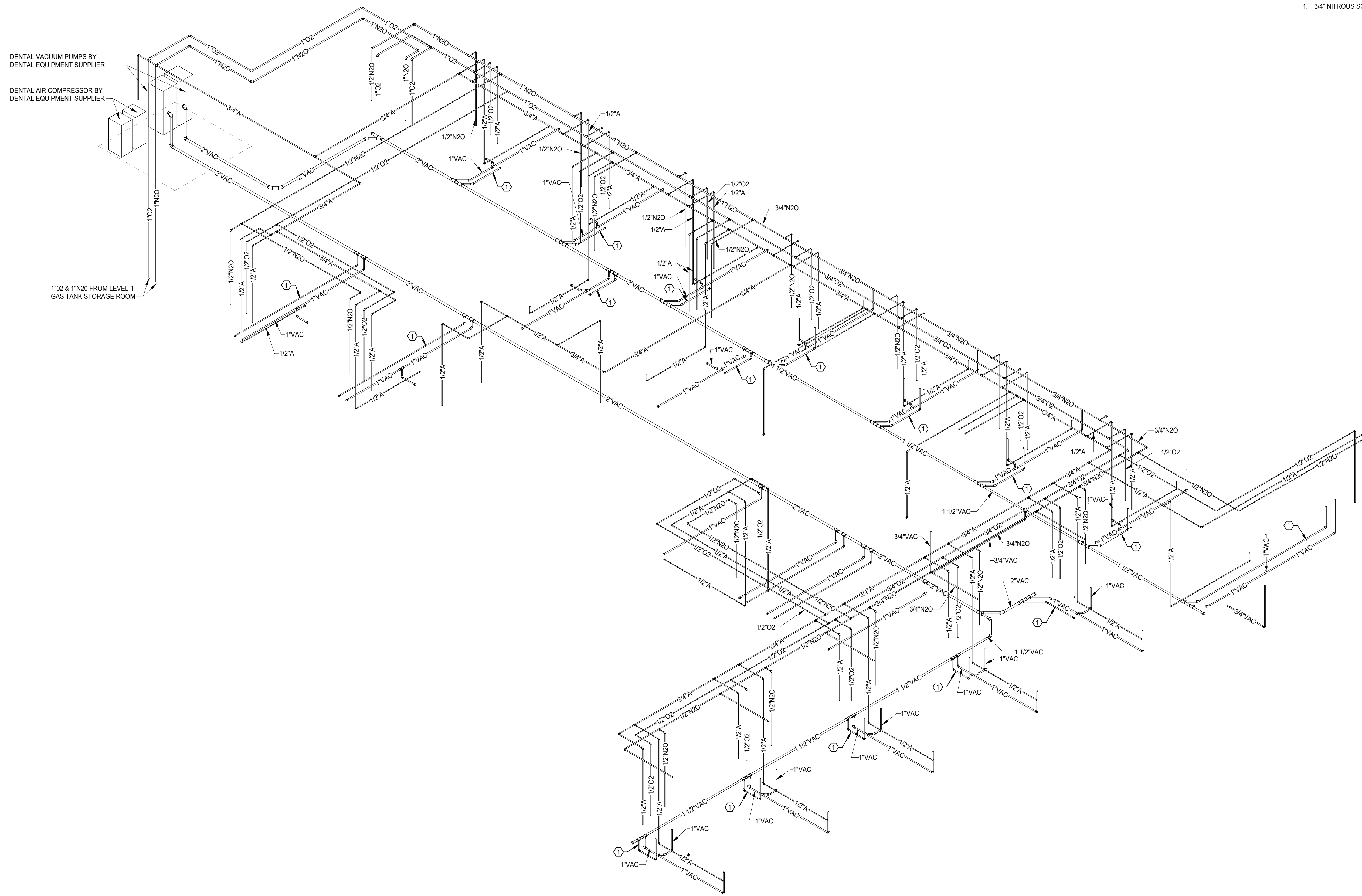
PLUMBING
RISER -
NATURAL GAS



COMMISSION No.
24069
 SHEET
P9-3
© COPYRIGHT 2025
 HUGHES ASSOCIATES ARCHITECTS & ENGINEERS
 A PROFESSIONAL CORPORATION

Revisions		
No.	Date	Description

SHEET KEYNOTES: 
 1. 3/4" NITROUS SCAVENGING PIPE.

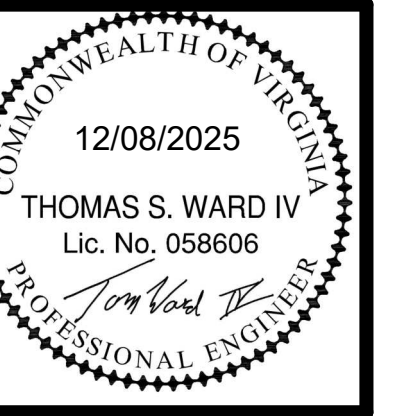


1 PLUMBING RISER - DENTAL GAS
 Scale: N.T.S.

New Facility For
Community Health Center
 of the New River Valley
 145 Akers Farm Road
 Town of Christiansburg, Virginia

DRAWN BY: JR/SS
 CHECKED BY: JDW

PLUMBING
 RISER - DENTAL
 GAS



COMMISSION No.
24069
 SHEET
P9-5
© COPYRIGHT 2025
 HUGHES ASSOCIATES ARCHITECTS & ENGINEERS
 A PROFESSIONAL CORPORATION