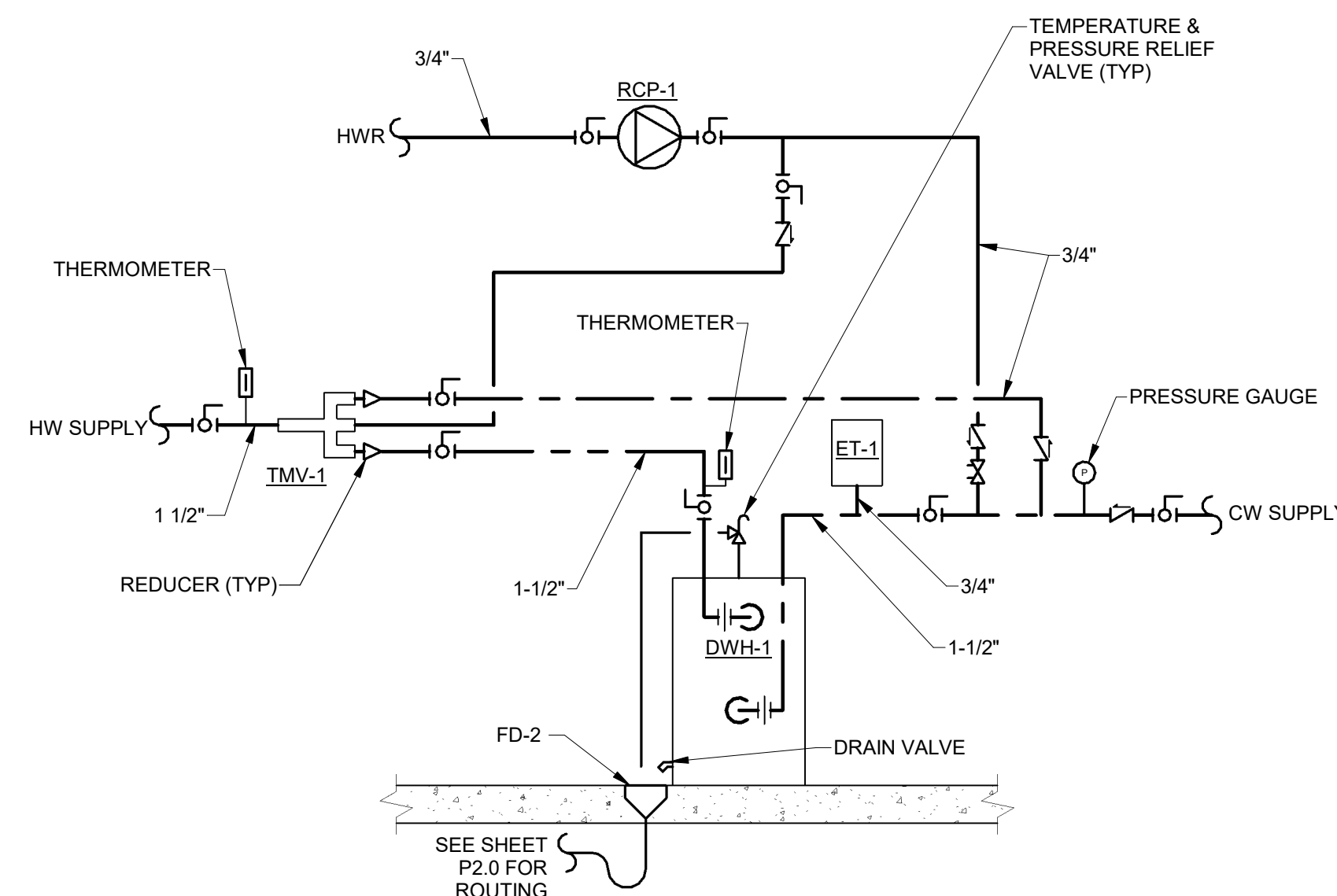


PLUMBING FIXTURE SCHEDULE

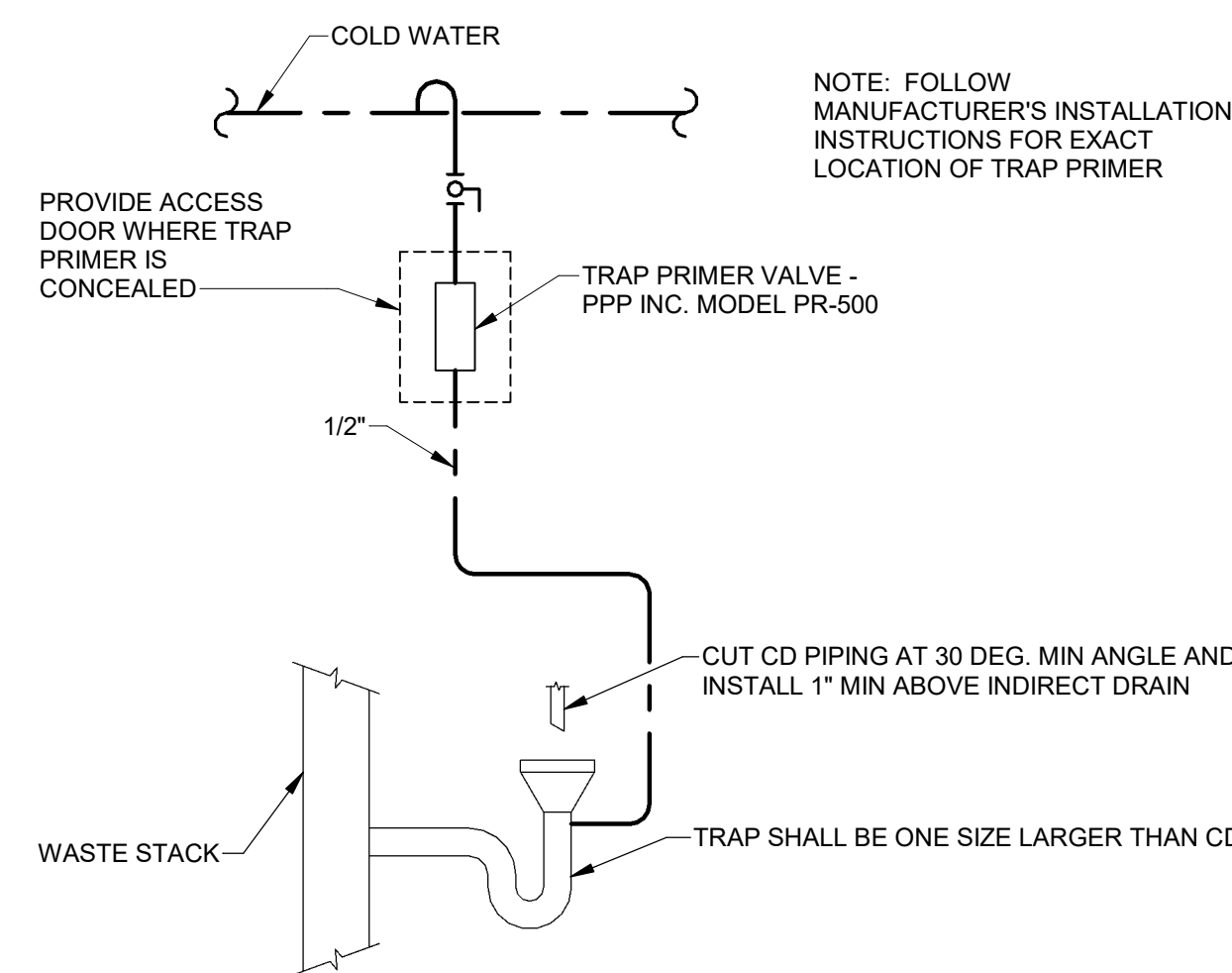
DESIGNATION	FIXTURE	MANUFACTURER & MODEL	SIZE	SUPPLY FITTINGS AND STOPS	TRAP	CARRIER	REMARKS & ACCESSORIES	CONNECTION SIZES		
								WASTE	HOT	COLD
P-1	WATER CLOSET	AMERICAN STANDARD 3641.001	-	-	INTEGRAL	FLOOR MOUNTED	FLUSH VALVE: SLOAN MODEL G2 8111-1.6 SEAT: AMERICAN STANDARD 5901.100	4"	-	1"
P-2	LAVATORY	AMERICAN STANDARD 0355.012	20 1/2" X 18 1/4"	3/8" ANGLE STOPS	1 1/2" 17 GA P-TRAP	WALL MOUNTED	FAUCET: SLOAN OPTIMA MODEL EBF650 BATTERY POWERED ELECTRONIC FAUCET, 0.50 GPM	1 1/2"	1/2"	1/2"
P-3	LAVATORY	AMERICAN STANDARD 0491.019	19-1/8" ROUND	3/8" ANGLE STOPS	1 1/2" 17 GA P-TRAP	COUNTER MOUNTED	FAUCET: SLOAN OPTIMA MODEL EBF650 BATTERY POWERED ELECTRONIC FAUCET	1 1/2"	1/2"	1/2"
P-4	URINAL	AMERICAN STANDARD 6590.001	ADA	-	INTEGRAL	WALL MOUNTED	FLUSH VALVE: SLOAN MODEL G2 8186-0.5	2"	-	3/4"
P-5	SINK	ELKAY/DAYTON D11719	17" X 19"	3/8" ANGLE STOPS	1 1/2" 17 GA P-TRAP	COUNTER MOUNTED	FAUCET: ZURN Z812B4-XL GOOSENECK WATER SENSE WITH WRIST BLADE HANDLES DRAINS AND STRAINERS: ELKAY LK35B	1 1/2"	1/2"	1/2"
P-6	JANITOR SINK	FIAT TSBC1610	24" X 24"	-	3" P-TRAP	FLOOR MOUNTED	WITH FIAT 830AA WITH MODEL 832AA HOSE & HOSE BRACKET, STAINLESS STEEL MOP HANGER & MODEL MSG2424 WALL GUARDS. FAUCET: T&S BRASS B-0665-BSTR WITH 1/4 TURN CERAMIC CARTRIDGES WITH CHECK VALVES AND BUILT-IN SERVICE STOPS	3"	1/2"	1/2"
P-7	ELECTRIC WATER COOLER	MURDOCK A172408S-UG-VR-D1-BF2S	BI-LEVEL	3/8" ANGLE STOPS	1 1/2" 17 GA P-TRAP	WALL MOUNTED	HANDS-FREE HIGH/LOW WATER COOLER WITH BOTTLE FILLER. PROVIDE W/STAINLESS STEEL FINISH, BOTTLE FILLER W/SENSOR OPERATION AND CONCEALED SUPPORT CARRIER OPTION.	1 1/2"		1/2"
P-8	PENAL FIXTURES	ACORN 1449FA-2	ADA	-	INTEGRAL	FLOOR/WALL MOUNTED	FLUSH VALVE: INTEGRAL, HYDRAULIC PROVIDE LEFT/RIGHT LAV CONFIGURATION PER PLANS	4"	1/2"	1"
P-9	SHOWER	MODEL S4839A ONE-PIECE ROLL-IN SHOWER WITH REINFORCING BOTTOM PLATE, SLIP RESISTANT FINISH, SEAT, GRAB BARS AND CENTERED DRAIN	48" X 38 3/4" X 79 1/4"	1/4 TURN STOPS IN SHOWER VALVE ASSEMBLY	3" P-TRAP	FLOOR MOUNTED	CHROME-PLATED SINGLE HANDLE SHOWER VALVE, HAND-HELD WATERSENSE SLIDE BAR MOUNTED SHOWER WITH ADA ADJUSTABLE SHOWER MOUNT ADJUSTMENT AND ADJUSTABLE HOSE. INSTALL BRASS WASTE WITH CHROME-PLATED ROUND DRAIN GRATING.	3"	1/2"	1/2"
P-10	JANITOR SINK	FIAT TSB3000	24" X 24"	-	3" P-TRAP	FLOOR MOUNTED	WITH FIAT 830AA WITH MODEL 832AA HOSE & HOSE BRACKET, STAINLESS STEEL MOP HANGER & MODEL MSG2424 WALL GUARDS. FAUCET: T&S BRASS B-0665-BSTR WITH 1/4 TURN CERAMIC CARTRIDGES WITH CHECK VALVES AND BUILT-IN SERVICE STOPS	3"	1/2"	1/2"
P-11	LAVATORY	BRADLEY LVOD2 VERGE WITH TWO WASHBARS INCLUDING TOUCH-FREE SOAP, WATER AND HAND DRYER	ADA 60" X 21"	1/2" ANGLE STOPS	1 1/2" P-TRAP	WALL MOUNTED	SINGLE TROUGH LAVATORY BASIN WITH CUSTOM SIDE COUNTERS WITH TRASH RECEPTACLE HOLES PER ARCHITECTURAL PLANS. INSTALL 120V/1PH/60 HZ, 20 AMP GFI PROTECTED OUTLET AS REQUIRED	1 1/2"	1/2"	1/2"
P-12	LAVATORY	BRADLEY LVOD3 VERGE WITH THREE WASHBARS INCLUDING TOUCH-FREE SOAP, WATER AND HAND DRYER	ADA 90" X 21"	1/2" ANGLE STOPS	1 1/2" P-TRAP	WALL MOUNTED	SINGLE TROUGH LAVATORY BASIN WITH CUSTOM SIDE COUNTERS WITH TRASH RECEPTACLE HOLES PER ARCHITECTURAL PLANS. INSTALL 120V/1PH/60 HZ, 20 AMP GFI PROTECTED OUTLET AS REQUIRED	1 1/2"	1/2"	1/2"

MISCELLANEOUS EQUIPMENT SCHEDULE

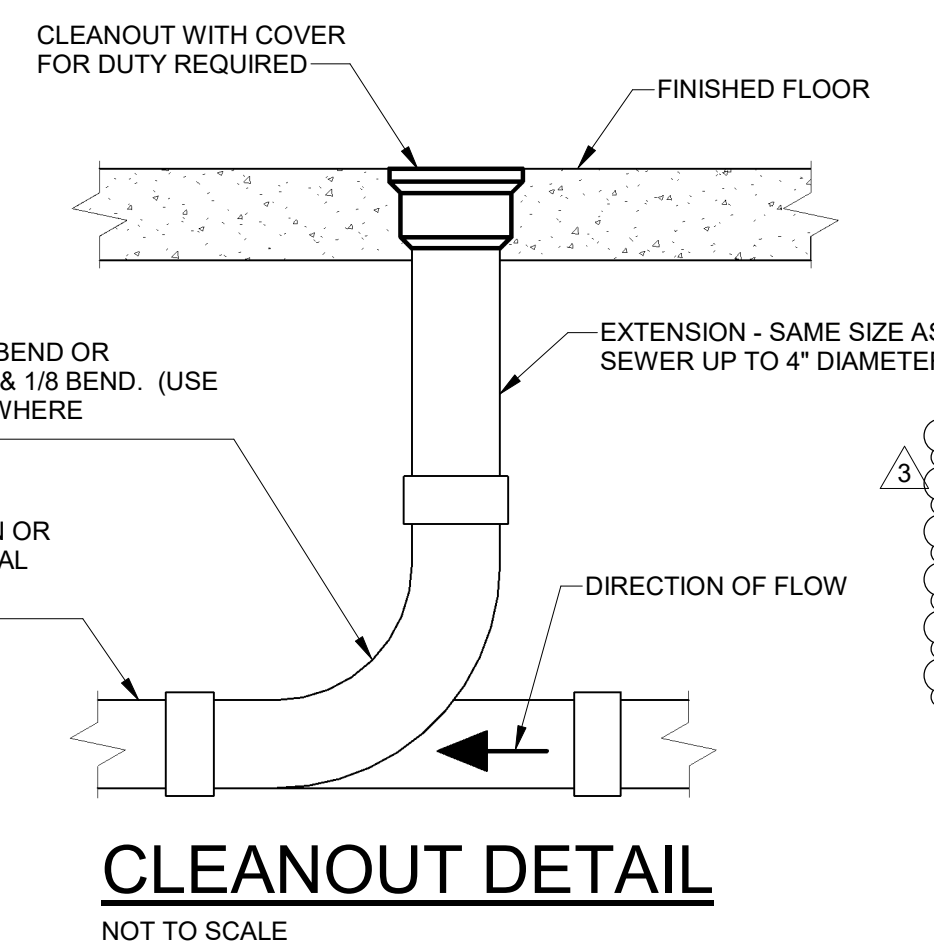
MARK	DESCRIPTION																		
DWH-1	DOMESTIC WATER HEATER - BRADFORD-WHITE EF-60T-150E-3N WITH 60 GALLON TANK, 150 MBH INPUT, 167 GPH RECOVERY AT 100 DEG F RISE, NATURAL GAS-FIRED, DIRECT VENT CLOSED COMBUSTION.																		
ET-1	THERMAL EXPANSION TANK - AMTROL MODEL ST-12-C WITH 3.2 GALLONS ACCEPTANCE VOLUME.																		
FCO	FLOOR CLEANOUT - JOSAM 55000 SERIES. LINE SIZED.																		
FD-1	3" FLOOR DRAIN - JOSAM 30000-S SERIES CAST IRON FLOOR DRAIN, STAINLESS STEEL TOP WITH 1/2" TRAP PRIMER CONNECTION.																		
FD-2	6" FLOOR DRAIN - JOSAM 30000-S SERIES CAST IRON FLOOR DRAIN, STAINLESS STEEL TOP WITH 1/2" TRAP PRIMER CONNECTION.																		
FD-3	8" FLOOR DRAIN - JOSAM 30000-S SERIES CAST IRON FLOOR DRAIN, STAINLESS STEEL TOP WITH 1/2" TRAP PRIMER CONNECTION.																		
HB	HOSE BIBB - ZURN SC8-4, 3/4" FEMALE NPT REGULAR PATTERN WITH VACUUM BREAKER																		
IMB	ICE MAKER CONNECTION BOX - OATEY MODEL I2K LOW LEAD WITH PLASTIC FACEPLATE AND QUARTER-TURN BRASS BALL VALVE.																		
OS	OIL SEPARATOR - JOSAM 60505B, DRAW-OFF, GRAVITY TYPE, EPOXY COATED FABRICATED STEEL OIL SEPARATOR, THREADED CONNECTIONS, INTERNAL TRAP, SEDIMENT BUCKET, TWO-VENT CONNECTIONS ON EACH SIDE, GASKETED NON-SKID COVER AND FLOW-CONTROL FITTING, RATED FOR 20 GPM.																		
PRV	PRESSURE REDUCING VALVE - 3" WATTS N223 BS WITH FLANGED CONNECTIONS AND STRAINER																		
RCP-1	RECIRCULATION PUMP - LEAD-FREE BRONZE BODIED SYSTEM LUBRICATED CIRCULATOR, BELL AND GOSSET MODEL NBE-10S&W, 12.5-FT. HEAD, 2.0 GPM, 52 WATTS, SINGLE PHASE, 115V, 2800 RPM																		
RD-1 & OD-1	4" ROOF DRAIN AND OVERFLOW DRAIN COMBINATION - JR SMITH MFG. CO. 1851.																		
RD-2 & OD-2	6" ROOF DRAIN AND OVERFLOW DRAIN COMBINATION - JR SMITH MFG. CO. 1851.																		
RH-1	FREEZELESS ROOF HYDRANT - WOODFORD MODEL RHY1-MS.																		
RPZ-1	3" REDUCED PRESSURE ZONE ASSEMBLY - WATTS SERIES LF-909, PROVIDE WITH AIR GAP, UL/FM OUTSIDE STEM & YOKE RESILIENT SEATED GATE VALVES, AND FDA EPOXY COATED STRAINER																		
RPZ-2	HVAC HYDRONIC SYSTEM MAKE-UP LINE, 3/4" REDUCED PRESSURE ZONE ASSEMBLY - WATTS MODEL LF909, PROVIDE WITH AIR GAP, QUARTER-TURN BALL VALVES, AND STRAINER.																		
SP-1	ELEVATOR SUMP PUMP - LIBERTY PUMPS ELV290 CAST IRON SUMP PUMP, 3/4 HP, 115V, REMOTE ALARM																		
TMV-1	THERMOSTATIC MIXING VALVE - LEONARD MODEL TM-1520B-LF-DT WITH 1-1/4" INLETS AND 1-1/2" OUTLET.																		
TPV	TRAP PRIMER VALVE - PRECISION PLUMBING PRODUCTS PR-500 WITH 1/2" COPPER LINE, PROVIDE DISTRIBUTION UNIT TO SERVE TWO FLOOR DRAINS WHERE NECESSARY.																		
WCO	WALL CLEANOUT - JOSAM 58600-CO SERIES.																		
WH	FREEZELESS WALL HYDRANT - WOODFORD MODEL B65.																		
WHA-X"	SHOCK ABSORBER, JOSAM SERIES 75000-S. <table style="font-size: small; width: 100%;"> <tr> <td>MODEL NUMBER</td> <td>75000-S</td> <td>75001-S</td> <td>75002-S</td> <td>75003-S</td> <td>75004-S</td> </tr> <tr> <td>P.D.I.</td> <td>AA</td> <td>A</td> <td>B</td> <td>C</td> <td>D</td> </tr> <tr> <td>FIXTURE UNITS</td> <td>1</td> <td>1-11</td> <td>12-32</td> <td>33-60</td> <td>61-113</td> </tr> </table>	MODEL NUMBER	75000-S	75001-S	75002-S	75003-S	75004-S	P.D.I.	AA	A	B	C	D	FIXTURE UNITS	1	1-11	12-32	33-60	61-113
MODEL NUMBER	75000-S	75001-S	75002-S	75003-S	75004-S														
P.D.I.	AA	A	B	C	D														
FIXTURE UNITS	1	1-11	12-32	33-60	61-113														



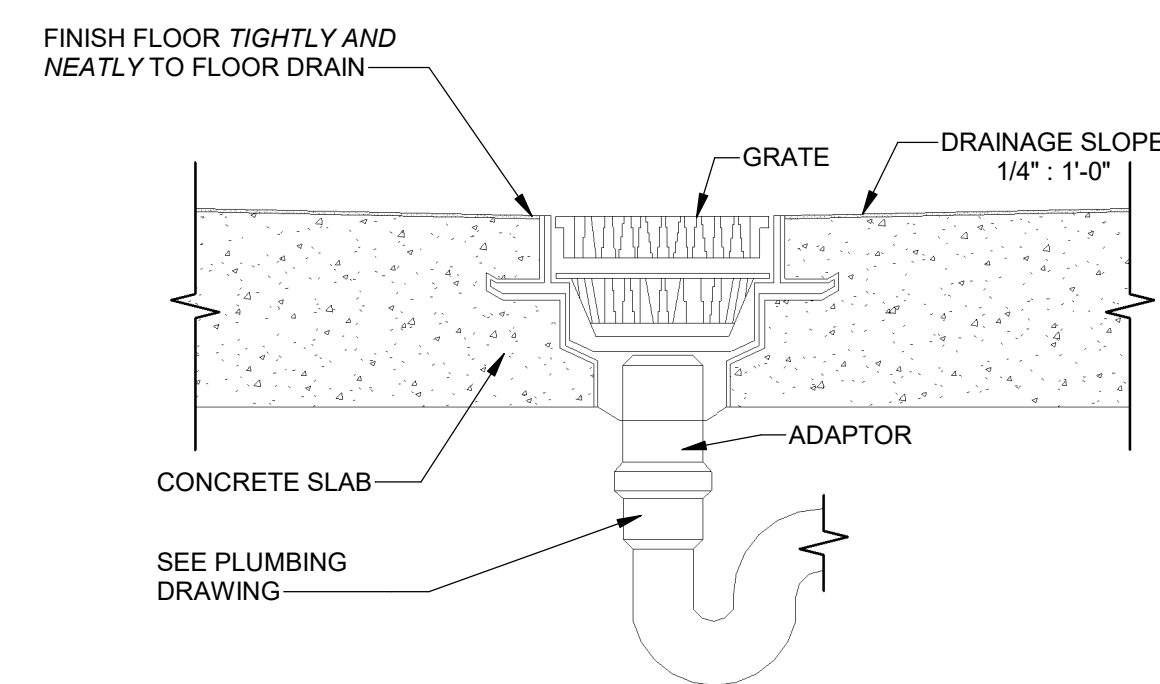
DOMESTIC WATER HEATER DETAIL
NOT TO SCALE



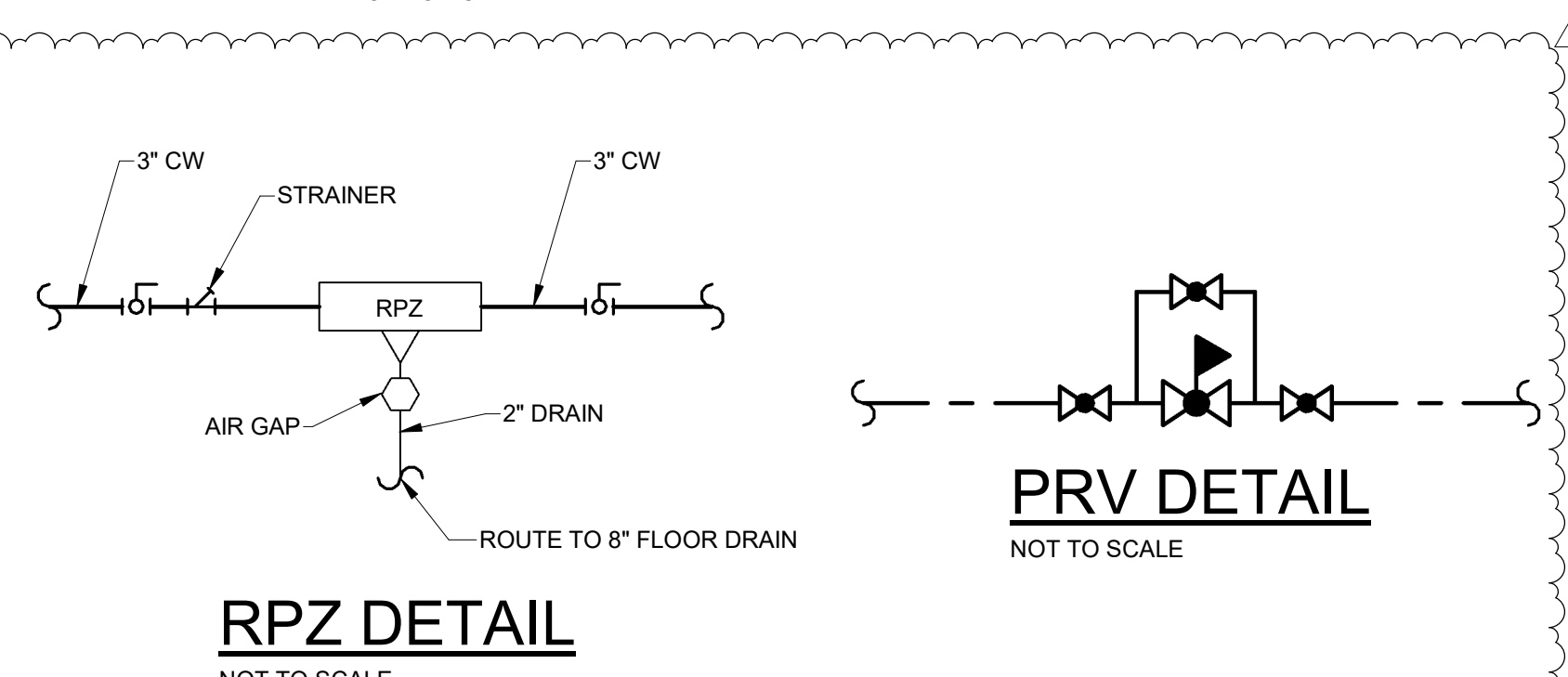
INDIRECT DRAIN WITH TRAP PRIMER DETAIL
NOT TO SCALE



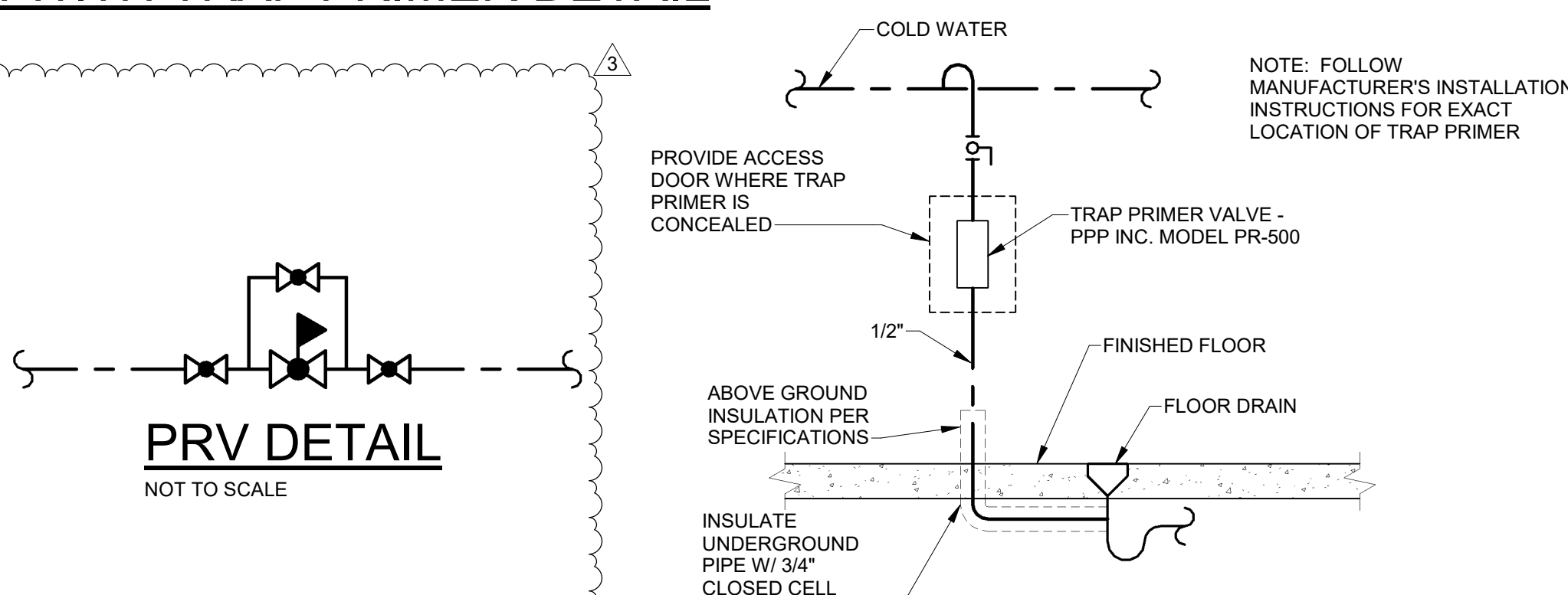
CLEANOUT DETAIL
NOT TO SCALE



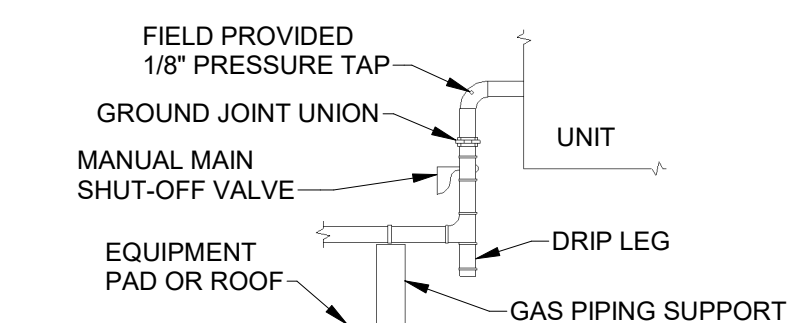
FLOOR DRAIN DETAIL
NOT TO SCALE



RPZ DETAIL
NOT TO SCALE



FLOOR DRAIN TRAP PRIMER DETAIL
NOT TO SCALE



GAS CONNECTION DETAIL
NOT TO SCALE



ARCHITECTURAL PARTNERS

10 9th Street
Lynchburg, Virginia 24504
P: 434-846-8456
F: 434-846-4534
www.architecturalpartners.com

BOTETOURT COUNTY
NEW CIRCUIT COURTHOUSE

1 WEST MAIN ST. #120, FINCASTLE, VA 24090
PROJECT NO.: 24131

BID SET



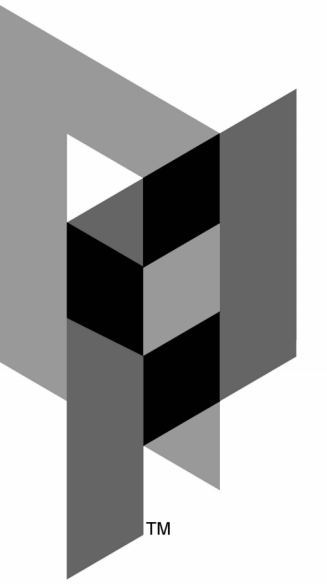
WRITTEN CONDITIONS ON THESE DRAWINGS SHALL TAKE PRECEDENCE OVER SCALED DIMENSIONS. CONTRACTORS SHALL VERIFY AND BE RESPONSIBLE FOR ALL DIMENSIONS AND CONDITIONS ON THE JOB AND THIS OFFICE MUST BE NOTIFIED OF ANY DISCREPANCIES FROM THE DIMENSIONS AND CONDITIONS SHOWN BY THESE DRAWINGS.

DATE: 2024-10-18
DESIGNED: CLS/WJC
DRAWN: WJC
CHECKED: CLS
REVISIONS:
11-15-2024 ADDENDUM #3

SCHEDULES AND DETAILS



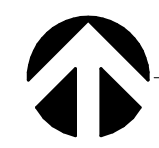
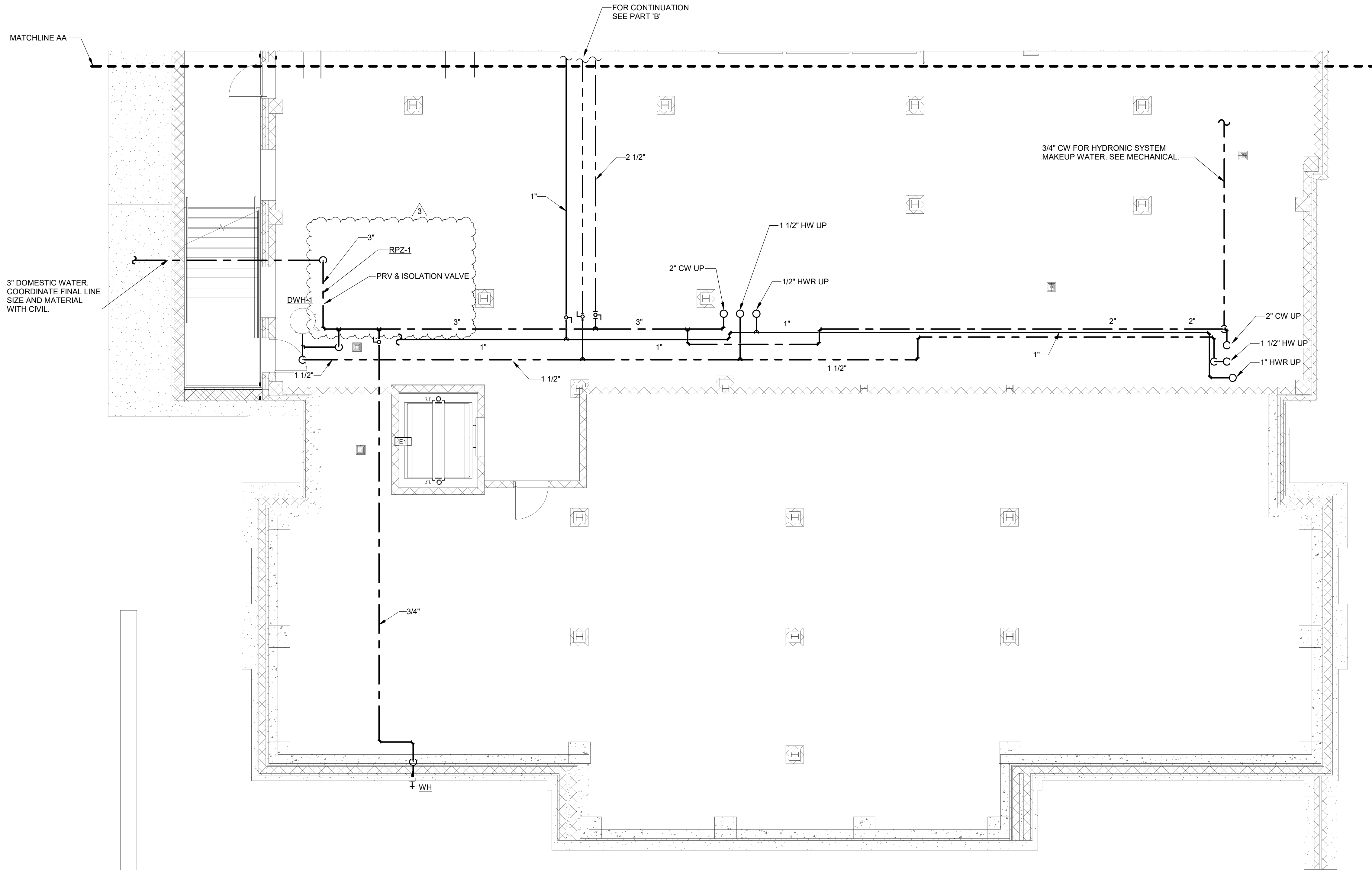
P0.02



ARCHITECTURAL PARTNERS

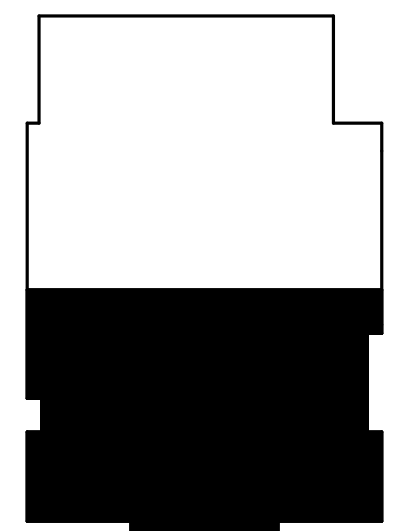
10 9th Street
Lynchburg, Virginia 24504
P: 434-846-8456
F: 434-846-4534
www.architecturalpartners.com

BOTETOURT COUNTY
NEW CIRCUIT COURTHOUSE
1 WEST MAIN ST. #120, FINCASTLE, VA 24090 PROJECT NO.: 24131



HOT AND COLD WATER BASEMENT FLOOR PLAN PART A

3/16" = 1'-0"



KEY PLAN



MASTER
ENGINEERS & DESIGNERS
904 Lakeside Drive, Lynchburg VA 24501
434-846-1350 Fax: 434-846-1351

BID SET



WRITTEN DIMENSIONS ON THESE DRAWINGS SHALL TAKE PRECEDENCE OVER SCALED DIMENSIONS. CONTRACTORS SHALL VERIFY DIMENSIONS AND CONDITIONS ON THE JOB AND THIS OFFICE MUST BE NOTIFIED OF ANY VARIATIONS FROM THE DIMENSIONS AND CONDITIONS SHOWN BY THESE DRAWINGS.

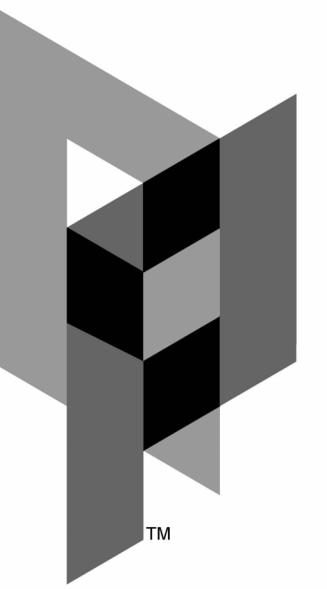
DATE: 2024-10-18
DESIGNED: CLS/WJC
DRAWN: WJC
CHECKED: CLS
REVISIONS:
11-15-2024 ADDENDUM #3

HOT AND COLD WATER BASEMENT FLOOR PLAN PART A

P1.01.a

11/14/2024 4:44:50 PM

© 2018 ARCHITECTURAL PARTNERS, P.C.



ARCHITECTURAL PARTNERS

10 9th Street
Lynchburg, Virginia 24504
P: 434-846-8456
F: 434-846-4534
www.architecturalpartners.com

BOTETOURT COUNTY
NEW CIRCUIT COURTHOUSE
1 WEST MAIN ST. #120, FINCASTLE, VA 24090 PROJECT NO.: 24131

BID SET

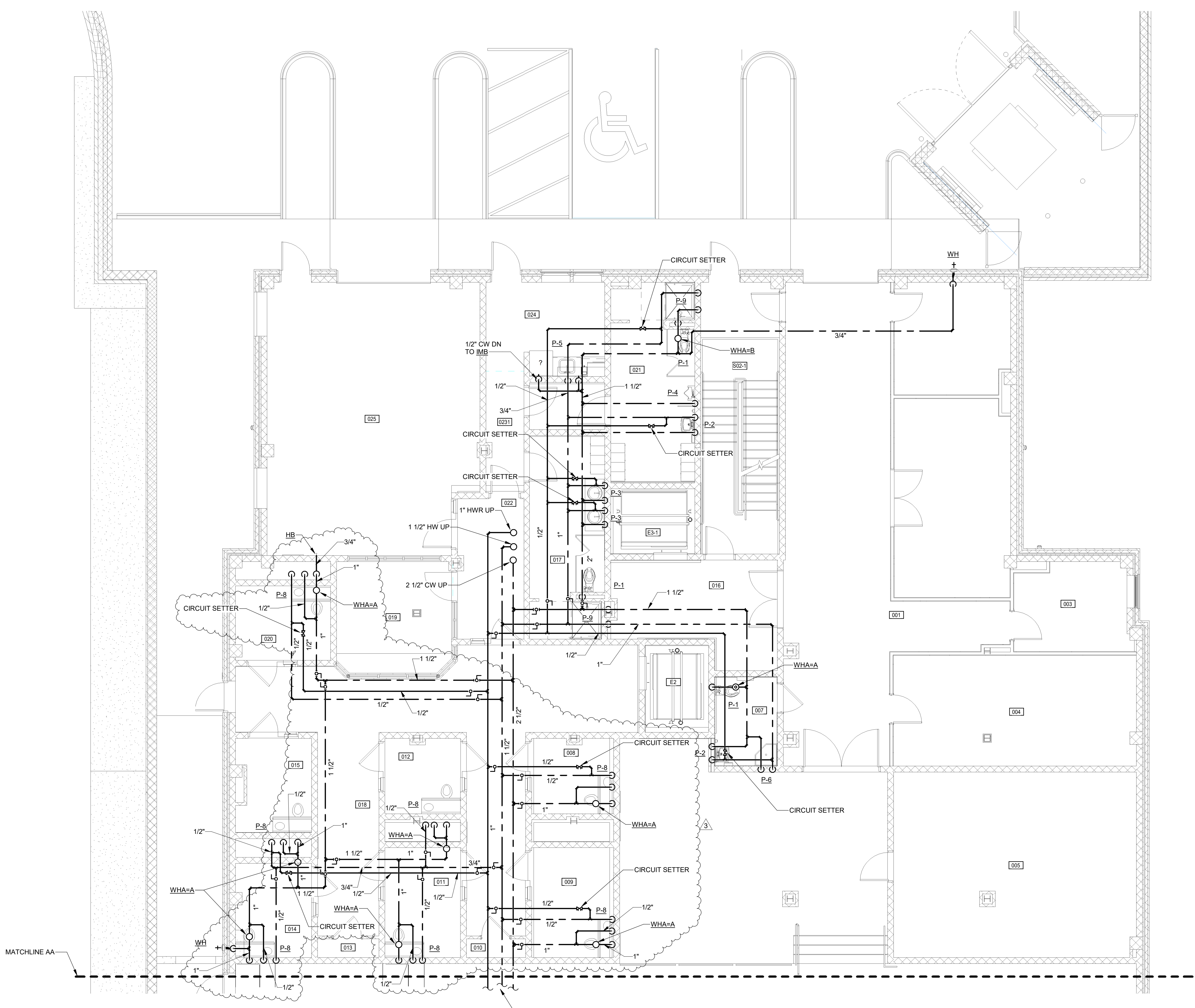


WRITTEN DIMENSIONS ON THESE DRAWINGS SHALL TAKE PRECEDENCE OVER SCALED DIMENSIONS. CONTRACTORS SHALL VERIFY AND BE RESPONSIBLE FOR ALL DIMENSIONS AND CONDITIONS ON THE JOB AND THIS OFFICE MUST BE NOTIFIED OF ANY VARIATIONS FROM THE DIMENSIONS AND CONDITIONS SHOWN BY THESE DRAWINGS.

DATE: 2024-10-18
DESIGNED: CLS/WJC
DRAWN: WJC
CHECKED: CLS
REVISIONS: 11-15-2024 ADDENDUM #3

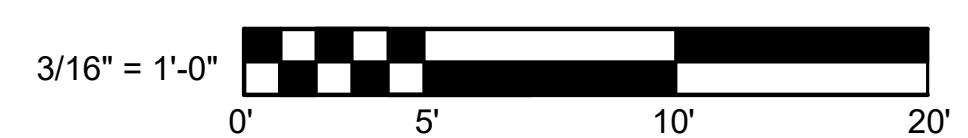
HOT AND COLD WATER BASEMENT FLOOR PLAN PART B

P1.01.b



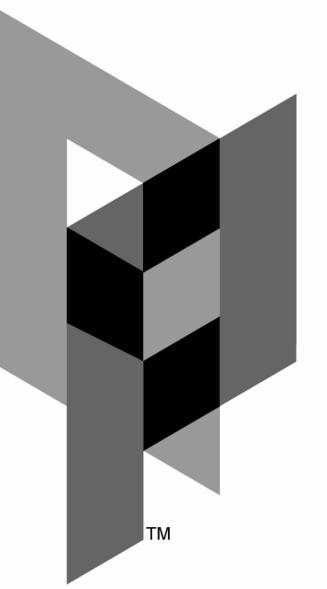
HOT AND COLD WATER BASEMENT FLOOR PLAN PART B
3/16" = 1'-0"

KEY PLAN



CPH

11/14/2024 4:44:53 PM



ARCHITECTURAL PARTNERS

10 9th Street
Lynchburg, Virginia 24504
P: 434-546-8456
F: 434-846-4534
www.architecturalpartners.com

BOTETOURT COUNTY
NEW CIRCUIT COURTHOUSE

1 WEST MAIN ST. #120, FINCASTLE, VA 24090 PROJECT NO.: 24131

BID SET

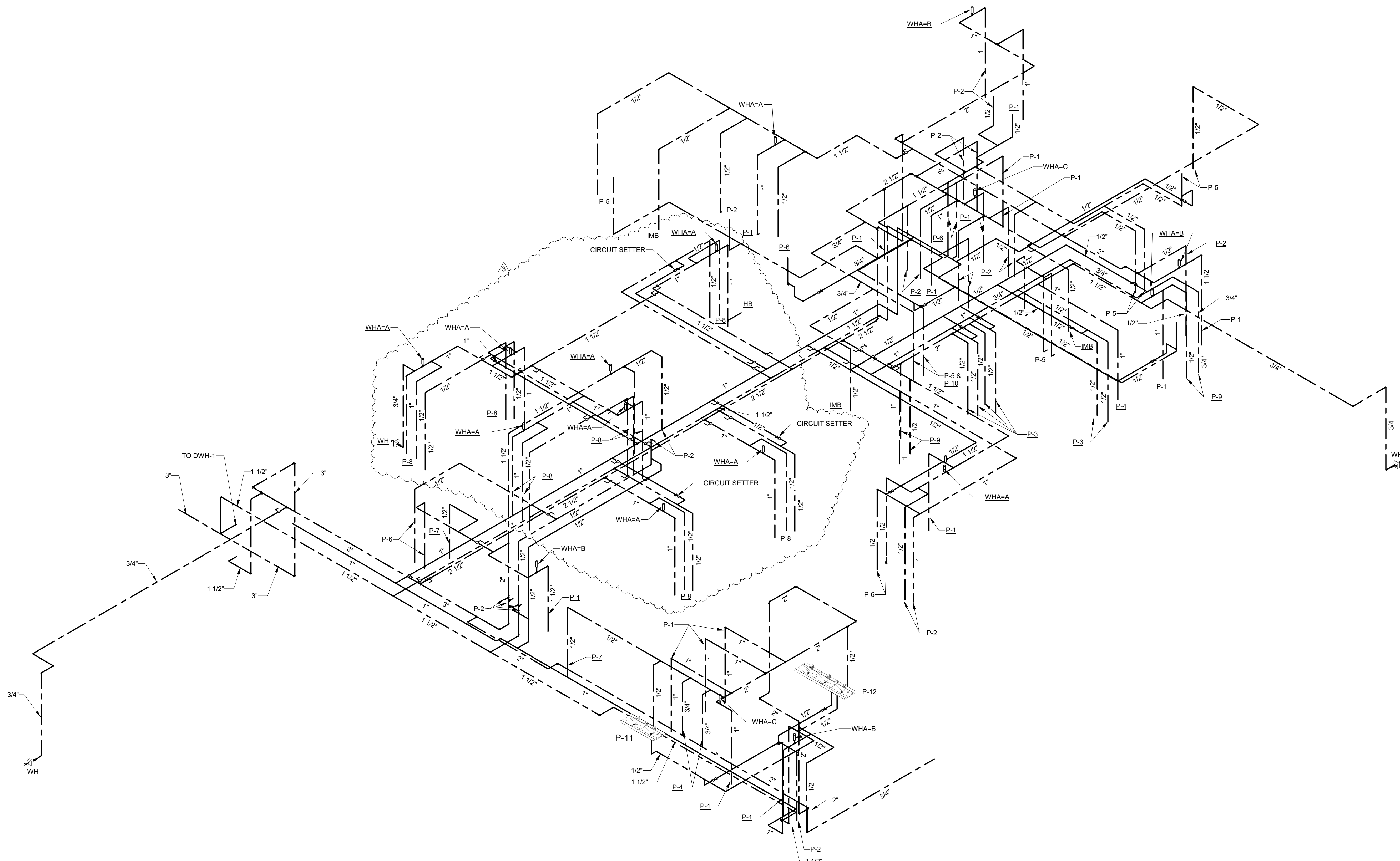


WRITTEN DIMENSIONS ON THESE DRAWINGS SHALL TAKE PRECEDENCE OVER SCALED DIMENSIONS. CONTRACTORS SHALL VERIFY DIMENSIONS AND CONDITIONS ON THE JOB AND THIS OFFICE MUST BE NOTIFIED OF ANY VARIATIONS FROM THE DIMENSIONS AND CONDITIONS SHOWN BY THESE DRAWINGS.

DATE: 2024-10-18
DESIGNED: WJC
DRAWN: WJC
CHECKED: CLS
REVISIONS:
11-15-2024 ADDENDUM #3

HOT & COLD WATER RISER DIAGRAM

P4.01



HOT & COLD WATER RISER DIAGRAM
NOT TO SCALE



904 Lakeside Drive, Lynchburg VA 24501
434-846-1350 Fax: 434-846-1351

CCH